
HOGGI[®]



DURO and DURO Cross Spare parts catalogue

en

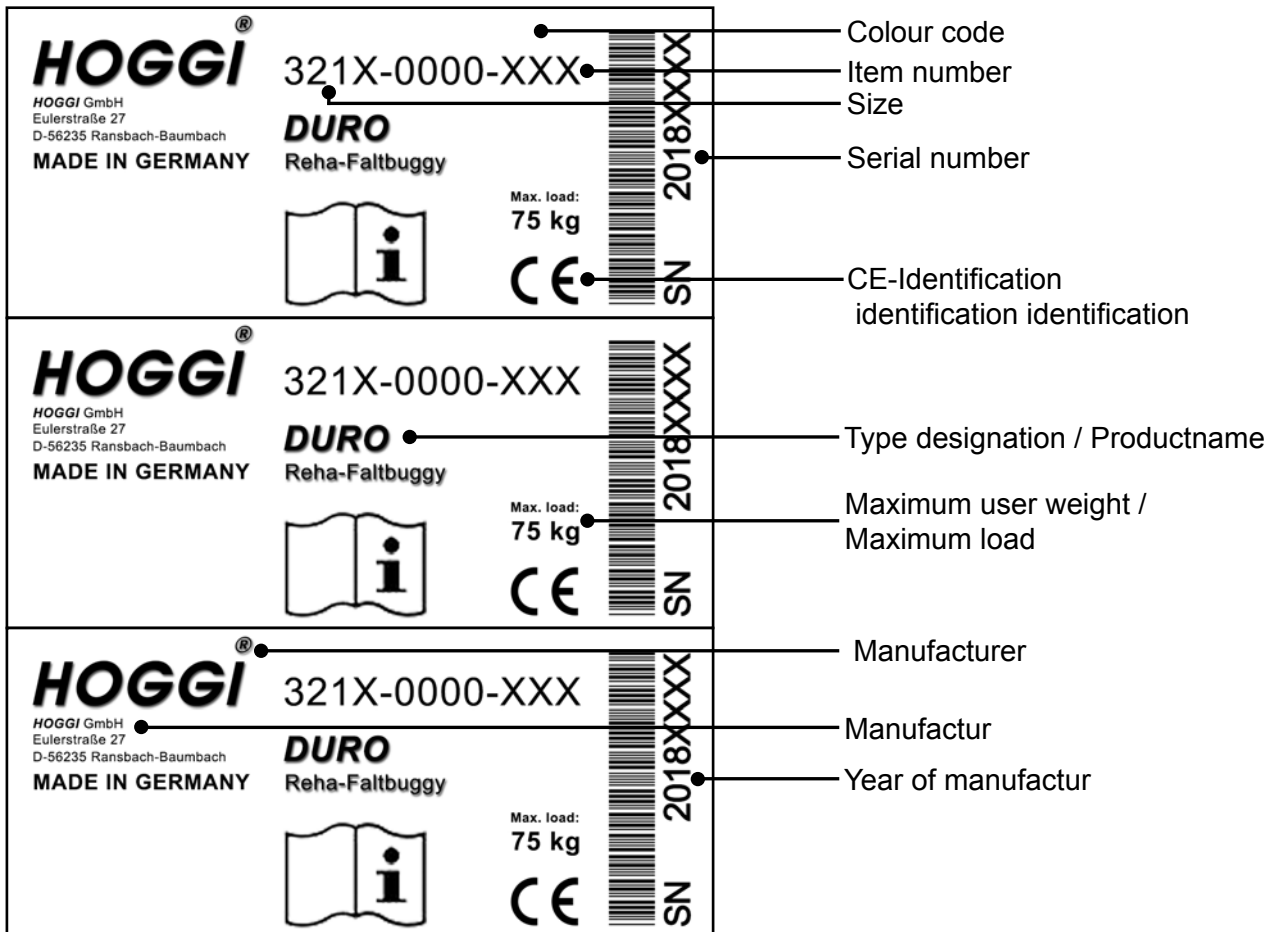
Index

1	Modellidentification and basic equipment	
1.1	Modellidentification _____	3
1.2	Basic equipment _____	3
2	Assemblies _____	
2.1	Assembly overview _____	4
3	Spare parts	
3.1	Front frame _____	5
3.2	Rear frame _____	6
3.3	Rear frame for removable back _____	7
3.4	Break _____	8
3.5	Rear frame DURO Cross, drumbreak _____	9
3.6	Rear frame DURO Cross, drumbreak for removable back _____	10
3.7	DURO Cross drumbreak _____	11
3.8	Pushbar _____	12
3.9	Seat and backrest retainer _____	13
3.10	Seat and backrest retainer for removable back _____	14
3.11	Seat surface _____	15
3.12	Pelotte thigh support _____	16
3.13	Hip support _____	17
3.14	Back base Duro _____	18
3.15	Back base Duro for removable back _____	19
3.16	Lateral support _____	20
3.17	Back insert _____	21
3.18	Duro upholstery and support backret, colour code´s _____	22
3.19	Footrest hanger _____	23
3.20	Foot rest bracket angle adjustable, flip up type _____	24
3.21	Dynamic knee angle adjustment _____	25
3.22	Foot rest bracket angle adjustable, with interlocking _____	26
3.23	Foot rest _____	27
3.24	Castor fork _____	28
3.25	Wheel options _____	29
3.26	Swivel lock, for castor fork`s _____	30
3.27	Tie down kit _____	31
3.28	Headrest _____	32
3.29	Trunk suport _____	33
3.30	Abduktion block, fixed _____	34
3.31	Abduction block, swing&detachable _____	35
3.32	Retainer for accessories grab rail or therapy tray _____	36
3.33	Grab rail _____	37
3.34	Therapy tray _____	38
3.35	Therapy tray, height adjustable _____	39
3.36	Attendant brake DURO, two hand use _____	40
3.37	Calf pad support and foam insert _____	41
3.38	Canopy and rain protector _____	42

1 Model identification

1.1 Model identification

The label with the serial number, is placed on the inside of the right rear side bar.
Please give us the Serial number with every spare part order, to ensure a correct delivery.

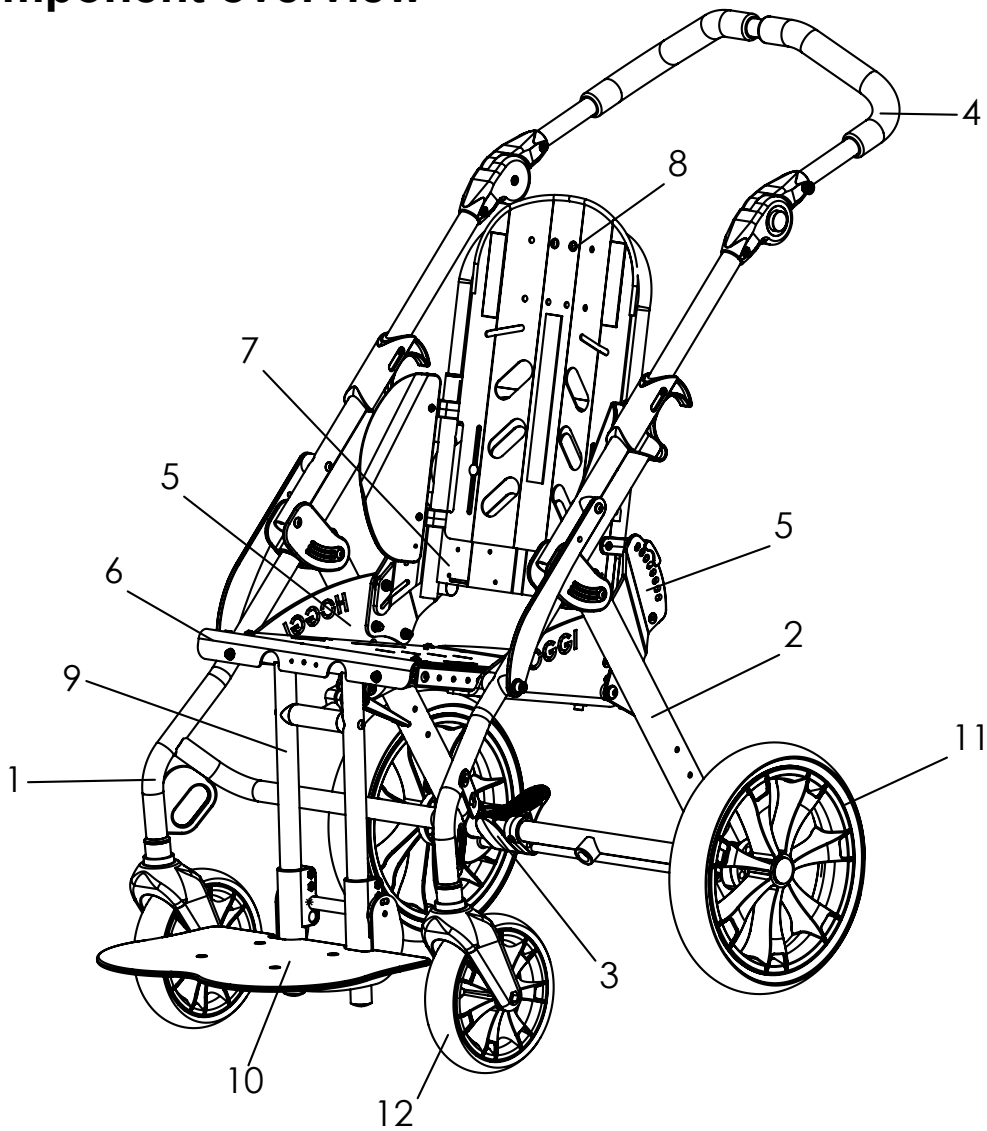


1.2 Basic configuration

The basic configuration includes:

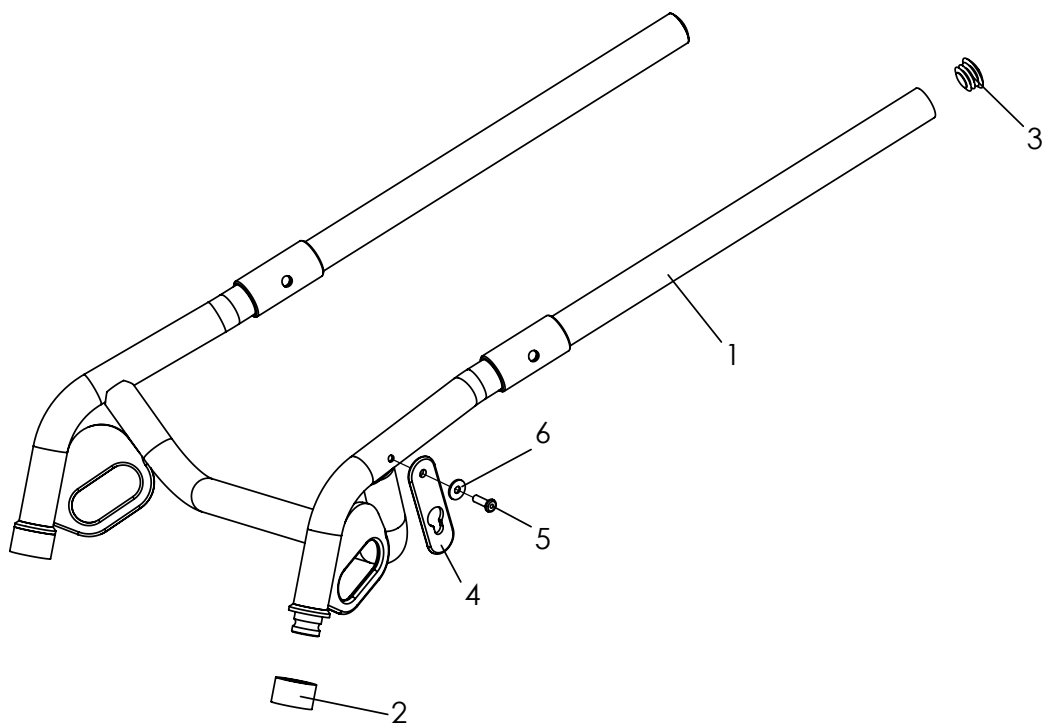
- DURO or DURO Cross Rehab-buggy
- With DURO: Front- and rear wheels with pneumatic or PU-wheels
- With DURO Cross: Front wheels with pneumatic- or PU-wheels, Rear drumbrakes with, pneumatic or PU-wheels
- Upholstery (IPS)
- Pelotte thigh support
- Foot rest hanger, angle adjustable
- Foot rest bracket and foot rest

2 Component overview



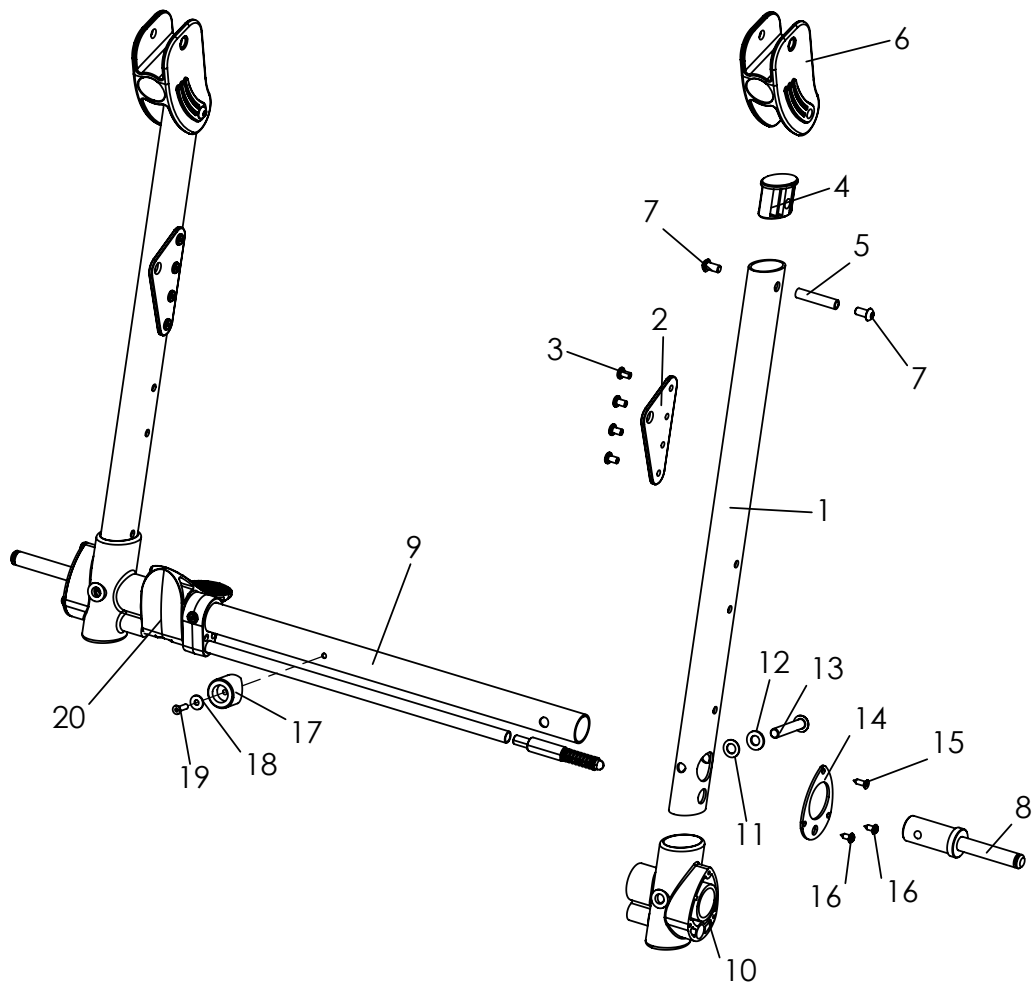
Pos	Article number	Component group	Page
1	3211-1100	Front frame DURO size 1	5
	3212-1100	Front frame DURO size 2	
2	3211-1200	Rear frame DURO size 1	6
	3212-1200	Rear frame DURO size 2	
3	3211-1300E	Break size 1	7
	3212-1300E	Break size 2	
4	3211-1400	Pushbar DURO size 1	10
	3212-1400	Pushbar DURO size 2	
5	3211-1500	Seat and backrest retainer	11
6	3211-1700	Seat surface DURO size 1	12
	3212-1700	Seat surface DURO size 2	
7	3211-2300	Back base DURO size 1	15
	3212-2300	Back base DURO size 2	
8	3211-2800	Back insert DURO size 1	17
	3212-2800	Back insert DURO size 2	
9	3211-2400	Footrest hanger DURO size 1	19
	2312-2400	Footrest hanger DURO size 2	
10	3245-4302	Foot rest	20
11	12xx-xxxx	Rear wheel	24
12	12xx-xxxx	Front wheel	24

Spare parts



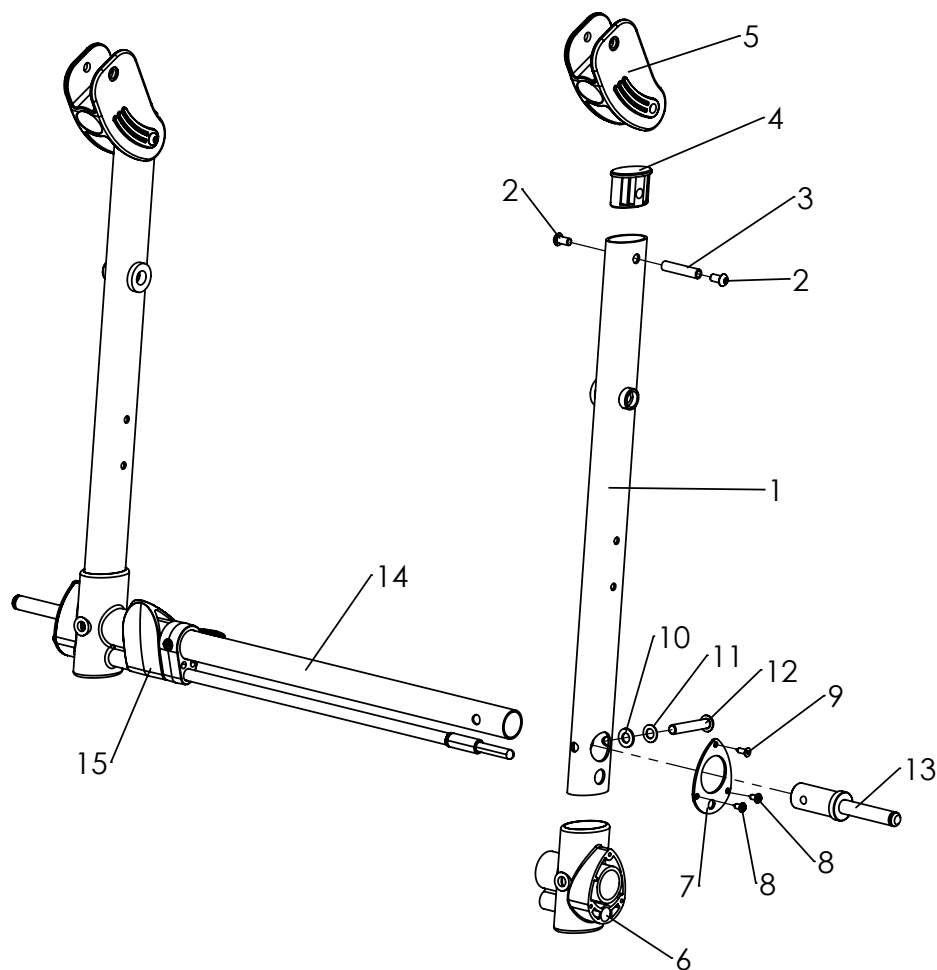
Pos	Article number	Articel description	Quantity	Unit
1-3	3211-1100E-xxx	Front fram Duro size 1	1	Pc.
	3212-1100E-xxx	Front fram Duro size 2	1	Pc.
1	3211-1110-xxx	Front fram Duro size 1	1	Pc.
	3212-1110-xxx	Front fram Duro size 2	1	Pc.
2	3202-1151	cover ring	2	Pc.
3	1141-0009	ribbed insert SFL 25x1-2,5	2	Pc.
4	3231-1431	catch strap	1	Pc.
5	1062-0516	Blind rivet F5x16	1	Pc.
6	1055-0005	Washer A5,3	1	Pc.

Spare parts



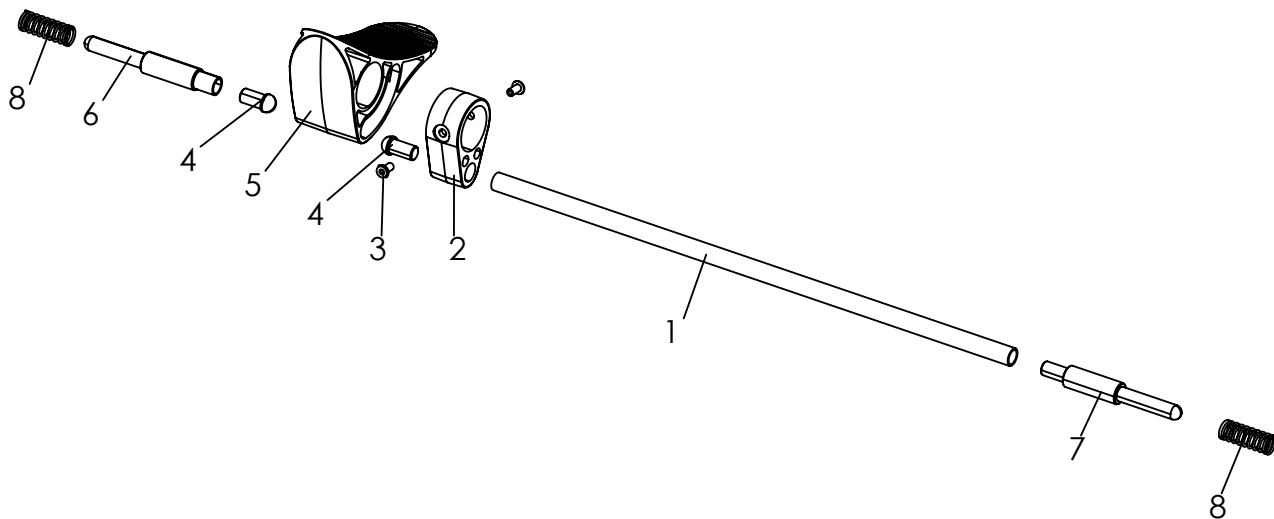
Pos	Article number	Articel description	Quantity	Unit
1-20	3211-1200E-xxx	Rear frame DURO size 1	1	Pc.
	3212-1200E-xxx	Rear frame DURO size 2	1	Pc.
1-3	3211-1211E-xxx	Side bar rear DURO left, incl. gusset plate	1	Pc.
	3211-1221E-xxx	Side bar rear DURO right, incl. gusset plate	1	Pc.
2	3210-1212-015	Gusset plate	2	Pc.
3	1062-0508	Blind rivet F5x8	8	Pc.
4	3201-1270	Plug	2	Pc.
5	1114-0028	Threaded bushing 8xM6x38	2	Pc.
6	3201-1500	Slider	2	Pc.
7	1029-0612	Button head socket screw M6x12	4	Pc.
8	3201-1240	Axle stump	2	Pc.
9	3211-1213E-xxx	Axle tube DURO size 1 with lock rod retainer	1	Pc.
	3212-1213E-xxx	Axle tube DURO size 2 with lock rod retainer	1	Pc.
10-16	3201-1280E	Connector	2	Pc.
11	1051-0008	Washer A8,4	2	Pc.
12	1052-0008	Spring washer B8	2	Pc.
13	1029-0845	Button head socket screw M8x45	2	Pc.
14	3201-1281	Stabilizer	2	Pc.
15	1039-0006	Countersunk tapping screw	2	Pc.
16	1039-0001	Screw for plastic, cross pan head w. flange 4x10	4	Pc.
17	3211-1214	Fold stop, DURO	1	Pc.
18	1055-0004	Washer A4,3	1	Pc.
19	1063-0416	Blind rivet S4x16	1	Pc.
20	3211-1300E-052	Parking Break size 1	1	Pc.
	3212-1300E-052	Parking Break size 2	1	Pc.

Spare parts - for removable back



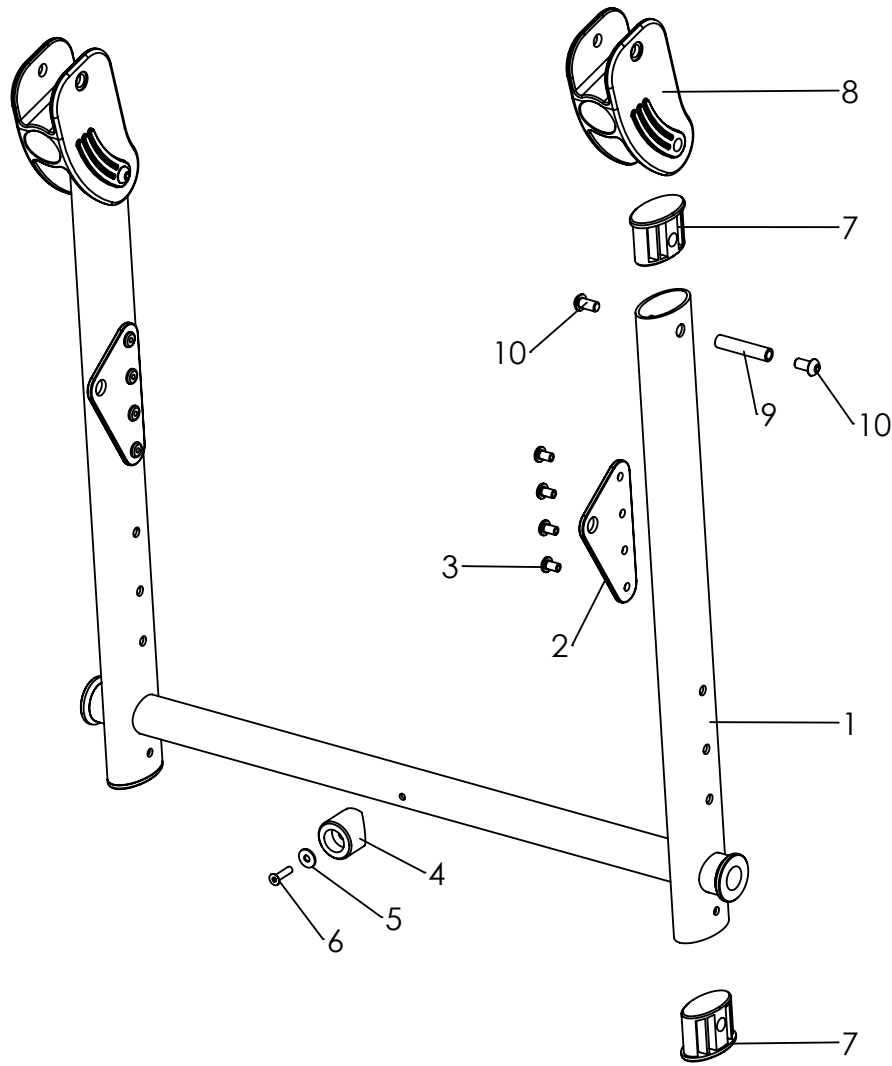
Pos	Article number	Articel description	Quantity	Unit
1-15	3211-1201E-052	Rear frame DURO size 1	1	Pc.
	3212-1201E-052	Rear frame DURO size 2	1	Pc.
1	3211-1210-052	Side bar rear DURO	2	Pc.
2	1029-0612	Button head socket screw M6x12	4	Pc.
3	1114-0028	Threaded bushing 8xM6x38	2	Pc.
4	3201-1270	Plug	2	Pc.
5	3201-1500	Slider	2	Pc.
6-12	3201-1280E	Connector, complete	2	Pc.
7	3201-1281	Stabilizer	2	Pc.
8	1039-0001	Screw for plastic, cross rcessed pan head w. flange 4x10	4	Pc.
9	1039-0006	Counter sunk Screw for plastic	2	Pc.
10	1051-0008	Washer A8,4	2	Pc.
11	1052-0008	Spring washer B8	2	Pc.
12	1029-0845	Button head socket screw M8x45	2	Pc.
13	3201-1240	Axle stump	2	Pc.
14	3211-1213E-052	Axle tube DURO size 1 with lock rod retainer	1	Pc.
	3212-1213E-052	Axle tube DURO size 2 with lock rod retainer	1	Pc.
15	3211-1300E-052	Parking Break size 1	1	Pc.
	3212-1300E-052	Parking Break size 2	1	Pc.

Spare parts



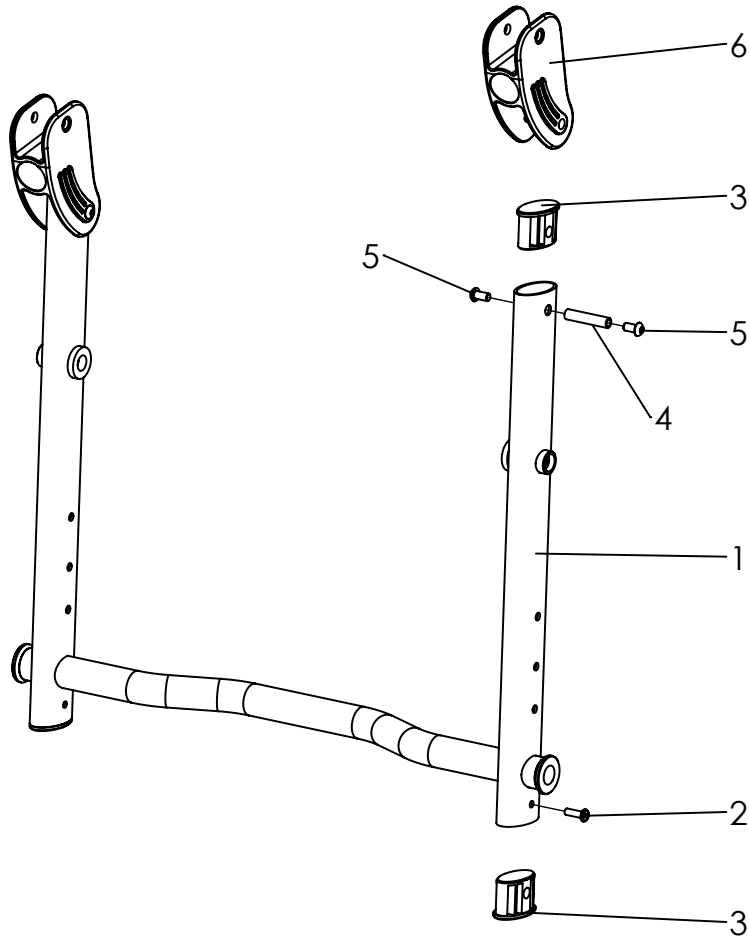
Pos	Article number	Articel description	Quantity	Unit
1-8	3211-1300E-xxx	Break size 1, complete	1	Pc.
	3212-1300E-xxx	Break size 2, complete	1	Pc.
1	3211-1311-xxx	Break rod DURO size 1	1	Pc.
	3212-1311-xxx	Break rod DURO size 2	1	Pc.
2	3201-1320	Wheel lock rod retainer	1	Pc.
3	1062-0408	Blind rivet F4x8	2	Pc.
4	3201-1340	Slide insert	2	Pc.
5	3201-1310	Wheel lock lever	1	Pc.
6	3201-1350	Lock pin, left	1	Pc.
7	3201-1360	Lock pin right	1	Pc.
8	1131-0034	Compression spring D-180Q-03	2	Pc.

Spare parts



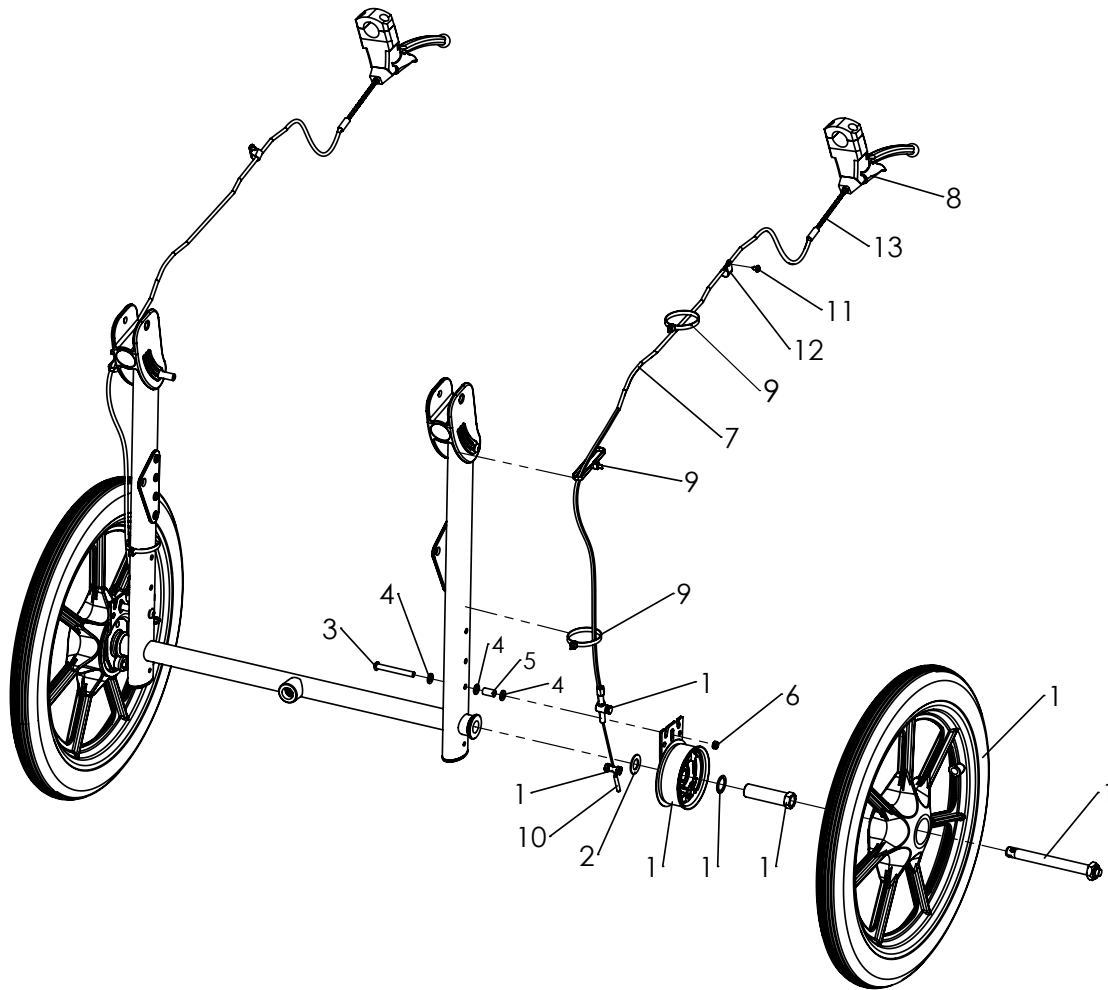
Pos	Article number	Articel description	Quantity	Unit
1-10	3214-1200E-xxx	Rear frame DURO Cross, Drumbreak size 1	1	Pc.
	3215-1200E-xxx	Rear frame DURO Cross, Drumbreak size 2	1	Pc.
1-6	3214-1210E-xxx	Rear frame DURO Cross, Drumbreak size 1 incl. Gusset plate	1	Pc.
	3215-1210E-xxx	Rear frame DURO Cross, Drumbreak size 1 incl. Gusset plate	1	Pc.
2	3210-1212	Gusset plate	2	Pc.
3	1062-0508	Blind rivet F5x8	8	Pc.
4	3211-1214	Fold stop	1	Pc.
5	1055-0004	Washer A4,3	1	Pc.
6	1063-0416	Blind rivet S4x16	1	Pc.
7	3201-1270	Plug	4	Pc.
8	3201-1500	Slider	2	Pc.
9	1114-0028	Threaded bushing 8xM6x38	2	Pc.
10	1029-0612	Button head socket screw M6x12	4	Pc.

Spare parts - for removable back



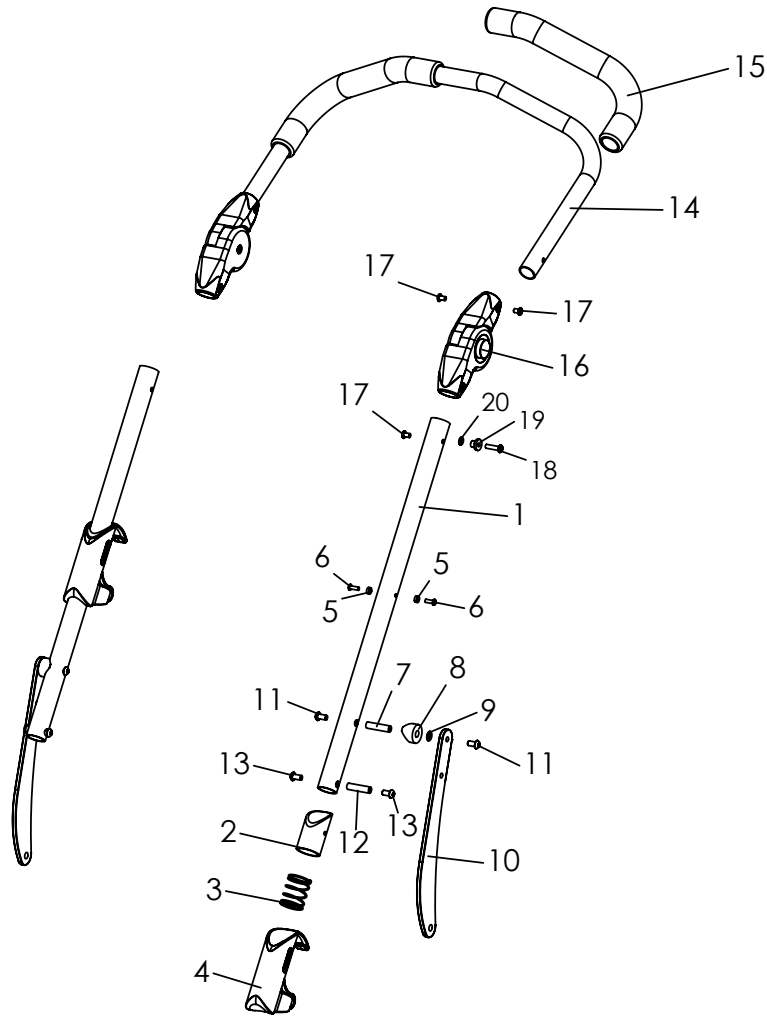
Pos	Article number	Articel description	Quantity	Unit
1-6	3214-1201E-052	Rear frame DURO Cross, Drumbreak size 1	1	Pc.
	3215-1201E-052	Rear frame DURO Cross, Drumbreak size 2	1	Pc.
1	3214-1220-052	Rear frame DURO Cross, Drumbreak size 1	1	Pc.
	3215-1220-052	Rear frame DURO Cross, Drumbreak size 2	1	Pc.
2	1063-0516	Blind rivet 5x16	2	Pc.
3	3201-1270	Plug	4	Pc.
4	1114-0028	Threaded bushing 8xM6x38	2	Pc.
5	1029-0612	Button head socket screw M6x12	4	Pc.
6	3201-1500	Slider	2	Pc.

Spare parts



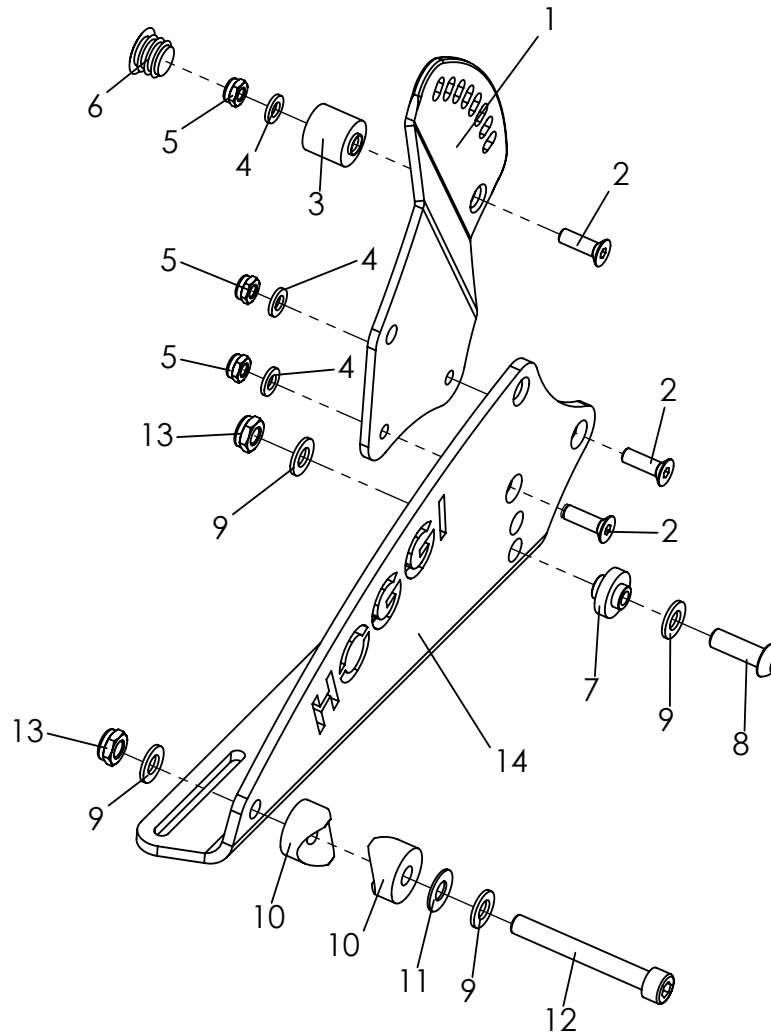
Pos	Article number	Articel description	Quantity	Unit
1	1219-0040	Pneumatic wheel black 16 x 1,75", black 5 spoke, drum brake left side	1	Pc.
	1219-0041	Pneumatic wheel black 16 x 1,75", black 5 spoke, drum brake right side	1	Pc.
	1229-0040	PU-wheel black 400x40, black 5 spoke, drum brake left side	1	Pc.
	1229-0041	PU-wheel black 400x40, black 5 spoke, drum brake right side	1	Pc.
2-13	3214-1290E	Duro cross break assembly parts	1	Set
2	1052-0012	Spring washer B12	2	Pc.
3	1029-0650	Button head socket screw M6x50	2	Pc.
4	1051-0006	Washer A6,4	6	Pc.
5	1114-0018	Bushing 8x0,8x14,5	2	Pc.
6	1049-0066	BILOC-nut M6	2	Pc.
7	1209-0001	Bowden wire set, complete 112cm cable	2	Pc.
8	1209-0008	Brake lever 80° manually locking 22 mm (for push-bar)	2	Pc.
9	1089-0004	Cable tie, black, 5x180	2	Pc.
10	1209-0007	End cap aluminium for Bowden cable wire	2	Pc.
11	1039-0001	Screw for plastic, cross rcessed pan head w. flange 4x10	2	Pc.
12	1149-0003	Cable clip d 6,4 / 8 mm, black	6	Pc.
13	1205-0054	Bowden cable guide flex	6	Pc.

Spare parts



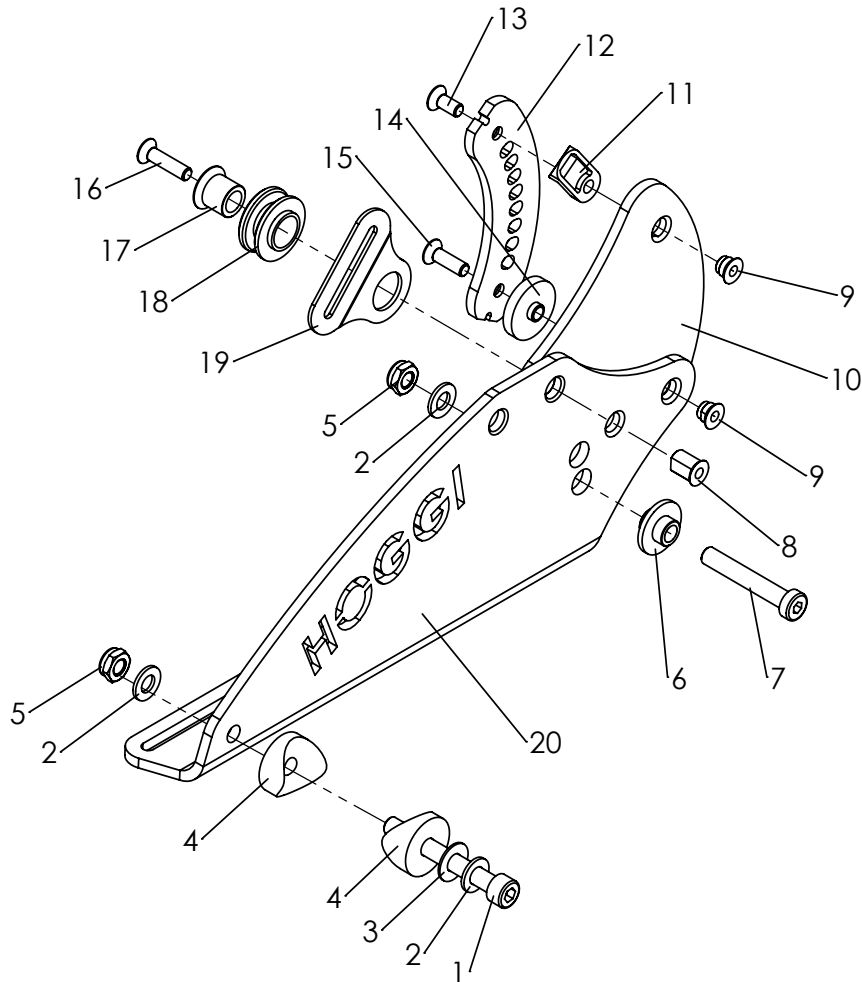
Pos	Article number	Articel description	Quantity	Unit
1-17	3211-1400E-xxx	Push bar DURO size 1	1	Pc.
	3212-1400E-xxx	Push bar DURO size 2	1	Pc.
1	3211-1411-xxx	Push handle bottom part DURO	2	Pc.
2	3201-1440	Sliding sleeve	2	Pc.
3	1131-0033	Compression spring Vd-232f	2	Pc.
4	3201-1430	Folding safety device	2	Pc.
5	1112-0010	Spacer PA black 8x4,3x3	4	Pc.
6	1062-0412	Blind rivet F4x12	4	Pc.
7	1114-0065	Threaded bushing 8xM6x33,2	2	Pc.
8	1111-0011	Saddle washer PA black 24x8.4x8	2	Pc.
9	1052-0006	Spring washer B6	2	Pc.
10	3213-1410-xxx	Support lever	2	Pc.
11	1029-0612	Button head socket screw M6x12	4	Pc.
12	1114-0027	Threaded bushing 8xM6x32	2	Pc.
13	1029-0612	Button head socket screw M6x12	4	Pc.
14	3211-1421-xxx	Push handle upper part DURO size 1	1	Pc.
	3212-1421-xxx	Push handle upper part DURO size 2	1	Pc.
15	1143-0001	Handle grip black	2	Pc.
16	1129-0009	Ratchet joint 25x22	1	Pair
17	1069-0003	Blind rivet F5x8	7	Pc.
18	1062-0520	Blind rivet F5x20	1	Pc.
19	3231-1432	Shoulder bushing black	1	Pc.
20	1051-0005	Washer A5,3	1	Pc.

Spare parts



Pos	Article number	Articel description	Quantity	Unit
1-13	3211-1500E	Seat and backrest retainer	1	Set
1	3211-1512-007	Backrest retainer, left	1	Pc.
	3211-1522-007	Backrest retainer, right	1	Pc.
2	1024-0620	Hexagon socket countersunk head screw M6x20	3	Pc.
3	3211-1514-007	Stop block for DURO backrest recline	6	Pc.
4	1051-0006	Washer A6,4	6	Pc.
5	1042-0006	Hexagon nut self-locking M6	6	Pc.
6	1141-0006	Ribbed insert SFL 20x0,8-2,5	2	Pc.
7	3211-1721	Support bracket bushing, seat	2	Pc.
8	1029-0825	Button head socket screw M8x25	2	Pc.
9	1051-0008	Washer A8,4	8	Pc.
10	1111-0006	Saddle washer PA black 24x8.4x8	4	Pc.
11	1113-0003	Washer PA 18x8,4x1 black	2	Pc.
12	1021-0865	Hexagon socket head cap screw M8x65	2	Pc.
13	1042-0008	Hexagon nut self-locking 985 M8	4	Pc.
14	3211-1741-022	Support bracket, left, signal white	1	Pc.
	3211-1741-XXX	Support bracket, left	1	Pc.
	3211-1751-022	Support bracket, right, signal white	1	Pc.
	3211-1751-XXX	Support bracket, right	1	Pc.
19		For code colour xxx go to pag 22.		

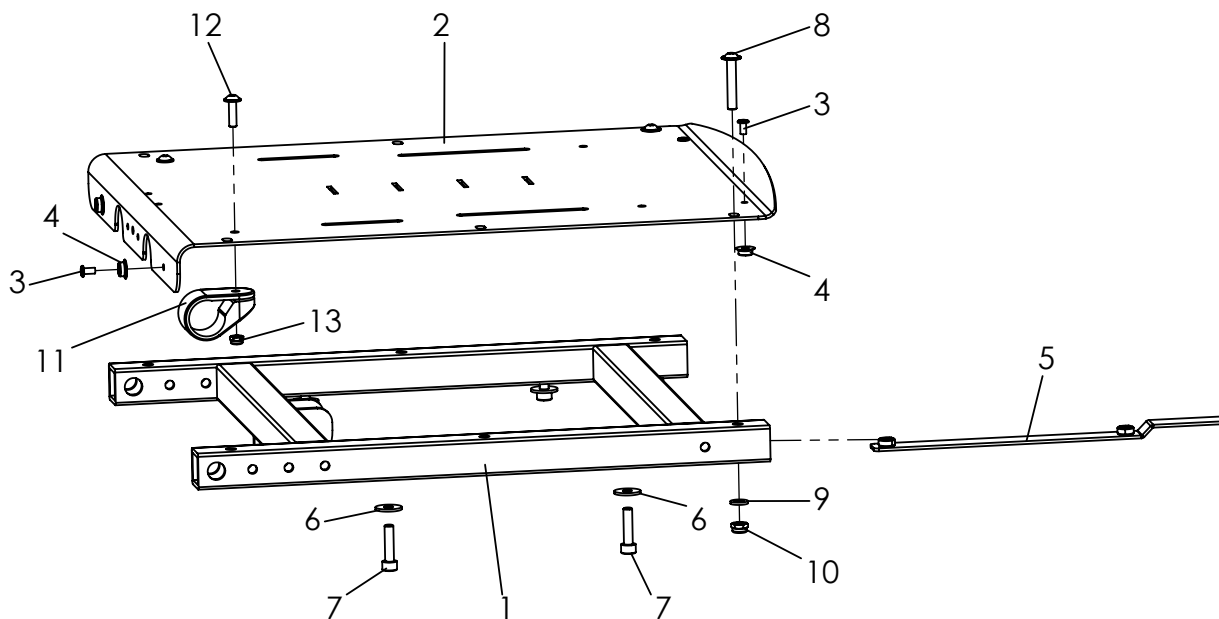
Spare parts - for removable back



Pos	Article number	Articel description	Quantity	Unit
1-19	3212-1500E	Seat and backrest retainer	1	Pair
1	1021-0865	Hexagon socket head cap screw M8x65	2	Pc.
2	1051-0008	Washer A8,4	6	Pc.
3	1113-0003	Washer PA 18x8,4x1 black	2	Pc.
4	1111-0006	Saddle washer PA black 24x8.4x5	4	Pc.
5	1042-0008	Hexagon nut self-locking M8	4	Pc.
6	3211-1722	Support bracket bushing, seat	2	Pc.
7	1030-0850	Hexagon socket head cap screw M8x50	2	Pc.
8	3221-3516	Threaded sleeve M6	2	Pc.
9	3231-1527	Threaded insert	4	Pc.
10	3211-1523-007	Backrest retainer DURO left	1	Pc.
	3211-1533-007	Backrest retainer DURO right	1	Pc.
11	3231-1514	Latch ramp	2	Pc.
12	3211-1517-006	Scantling rail DURO	2	Pc.
13	1024-0614	Hexagon socket countersunk head screw M6x14	2	Pc.
14	3211-1518	Spacer for Scantling rail DURO	2	Pc.
15	1024-0620	Hexagon socket countersunk head screw M6x20	2	Pc.
16	1024-0625	Hexagon socket countersunk head screw M6x25	2	Pc.
17	3211-1515-007	Axis shaft backbase	2	Pc.
18	3211-1516	Joint socket back base detachable	2	Pc.
19	3220-6131-015	Eyelet for lap belt, black	2	Pc.
20	3211-1742-022	Support bracket, left, signal white	1	Pc.
	3211-1742-xxx	Support bracket, left	1	Pc.
	3211-1752-022	Support bracket, right, signal white	1	Pc.
	3211-1752-xxx	Support bracket, right	1	Pc.

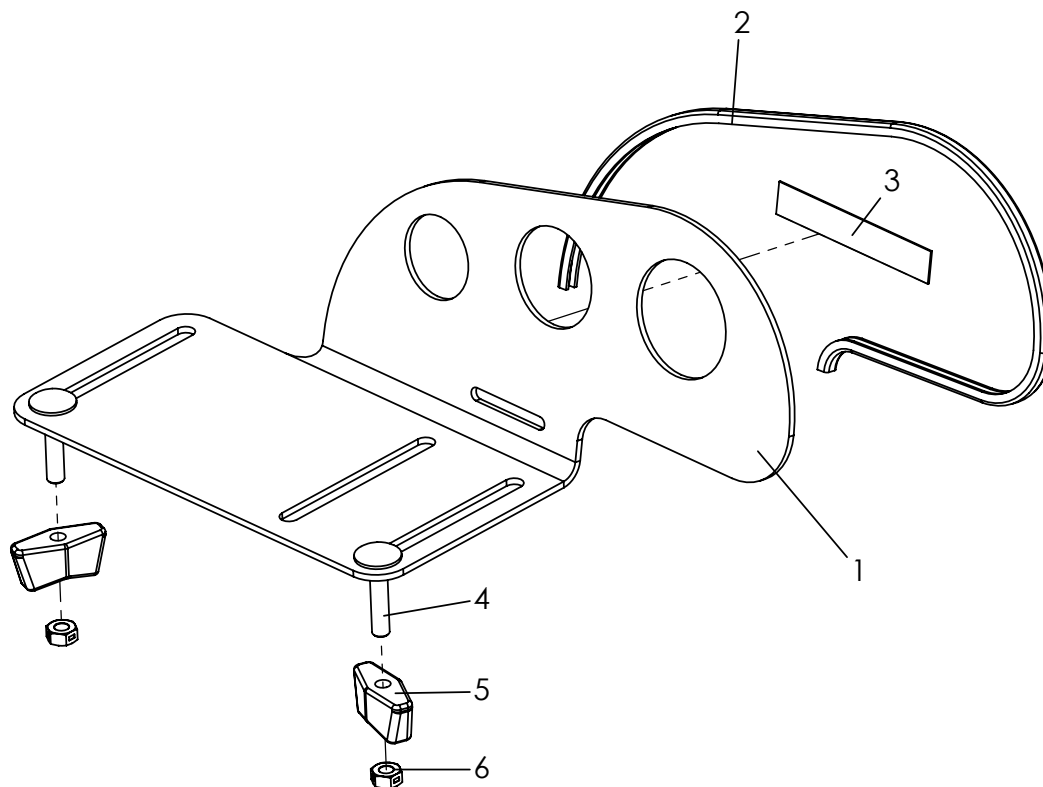
For colour code xxx go to pag 22.

Spare parts



Pos	Article number	Articel description	Quantity	Unit
1-13	3211-1700E-xxx	Seat surface DURO size 1	1	Set
	3212-1700E-xxx	Seat surface DURO size 2	1	Set
1	3211-1710-xxx	Seat frame size 1	1	Pc.
	3212-1710-xxx	Seat frame size 2	1	Pc.
2-5	3211-1731E-xxx	Seat plate, size 1	1	Pc.
	3212-1731E-xxx	Seat plate, size 2	1	Pc.
3	1061-0406	Blind rivet F4x6	4	Pc.
4	1533-0005	Ring-ball part DRK 95B	4	Pc.
5	3211-1715	Threaded plate with a bend	2	Pc.
6	1055-0006	Washer A6,4	4	Pc.
7	1021-0625	Hexagon socket head cap screw M6x25	4	Pc.
8	1030-0635	Button head socket screw with flange M6x35	2	Pc.
9	1051-0006	Washer A6,4	2	Pc.
10	1042-0006	Hexagon nut self-locking M6	2	Pc.
11	3245-3311	Gripper clamp	2	Pc.
12	1030-0518	Button head socket screw with flange M5x18	2	Pc.
13	1042-0005	Hexagon nut self-locking M5	2	Pc.

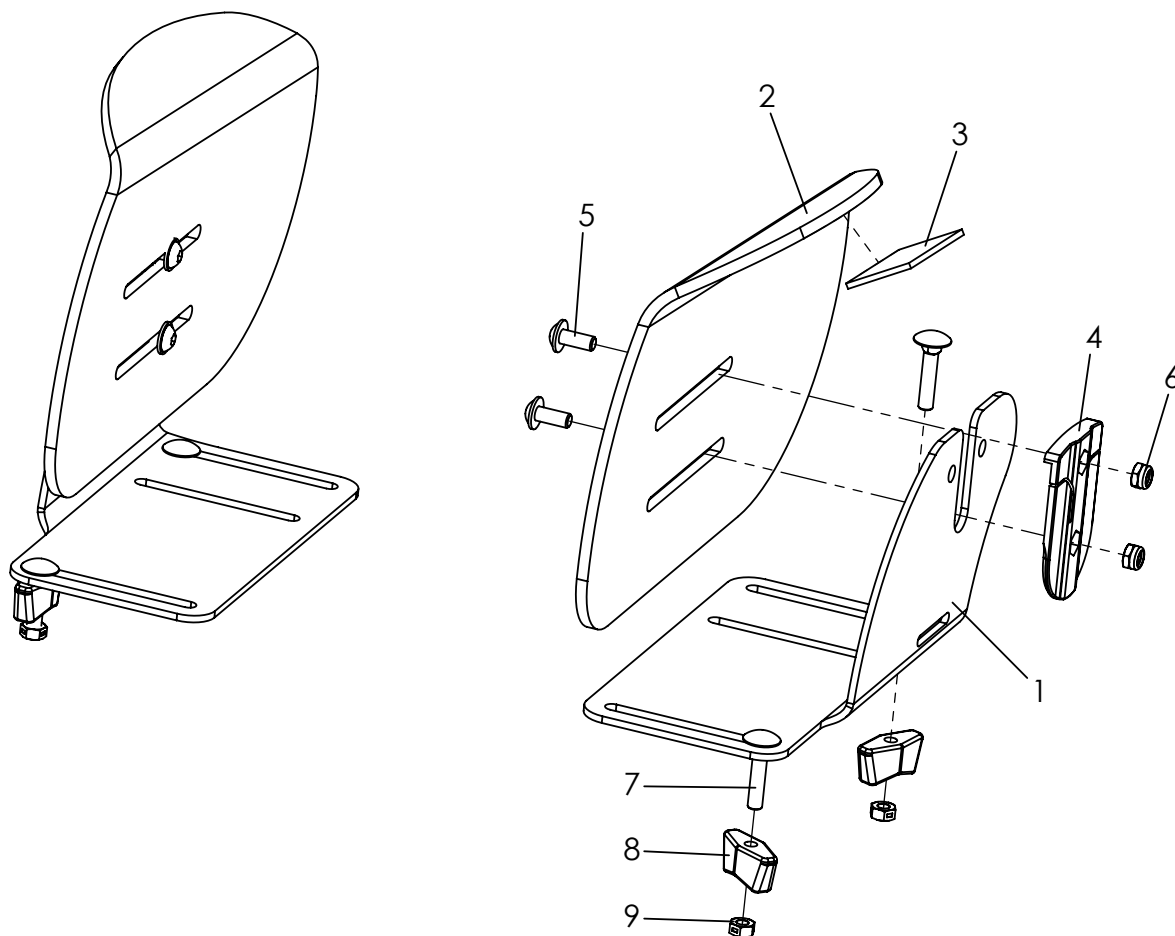
Spare parts



Pos	Article number	Articel description	Quantity	Unit
1-6	3231-2901E	Pelotte thigh support, size 1, left, picture	1	Pc.
	3231-2902E	Pelotte thigh support, size 1, right	1	Pc.
	3233-2901E	Pelotte thigh support, size 2, left	1	Pc.
	3233-2902E	Pelotte thigh support, size 2, right	1	Pc.
1-3	3231-2911E	Pelotte thigh support, size 1, left	1	Pc.
	3231-2912E	Pelotte thigh support, size 1, right	1	Pc.
	3233-2911E	Pelotte thigh support, size 2, left	1	Pc.
	3233-2912E	Pelotte thigh support, size 2, right	1	Pc.
2	1144-0001	KS-Profil PVC	1	Pc.
3	1501-0003	Hook strap black 25mm	1	Pc.
4	1026-0525	Mushroom head square neck bolt M5x25	2	Pc.
5	1123-0500	Wing nut PA black M5	2	Pc.
6	1049-0066	BILOC-nut M5	2	Pc.

For pelotte thigh Upholstery see page 22.

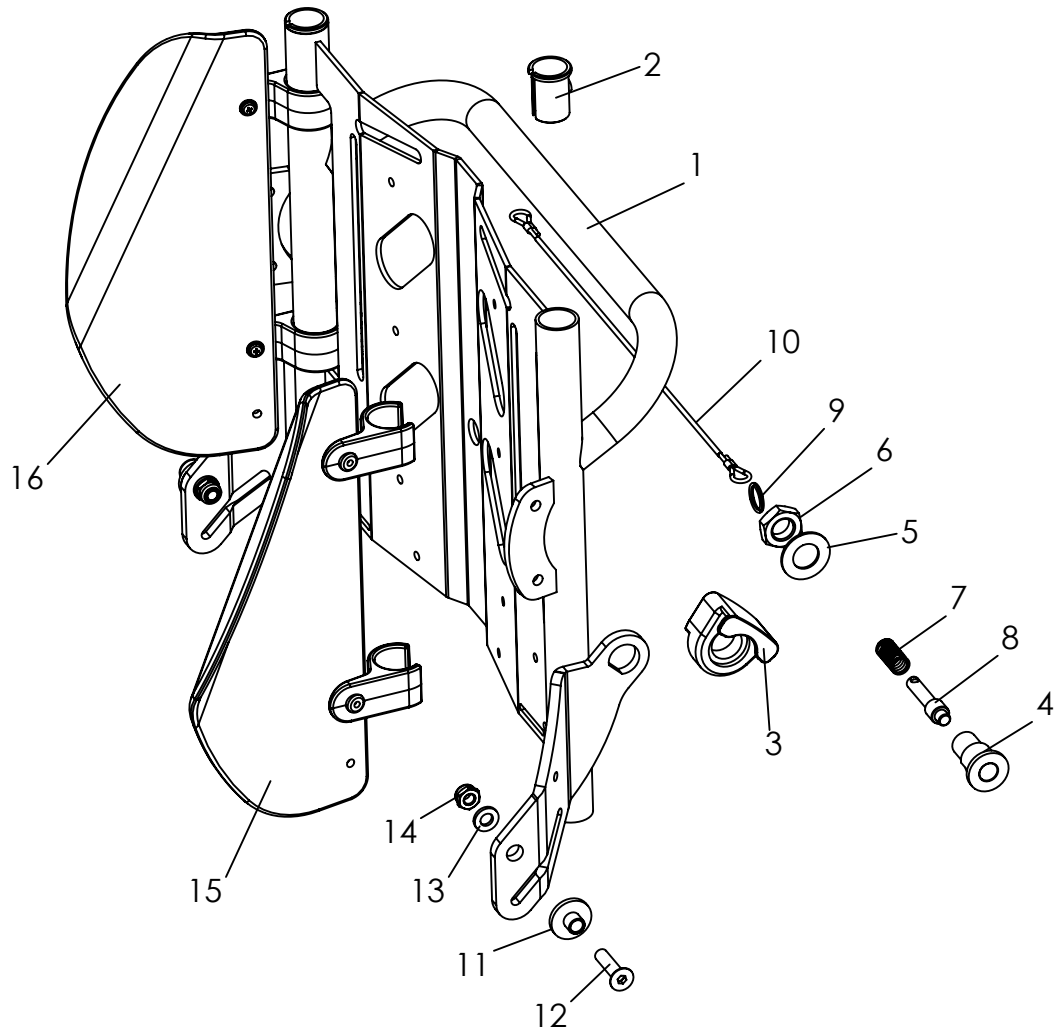
Spare parts



Pos	Article number	Articel description	Quantity	Unit
1-9	3231-2602E	Hip support right size 1	1	Pc.
	3231-2601E	Hip support left size 1	1	Pc.
	3233-2602E	Hip support right size 2	1	Pc.
	3233-2601E	Hip support left size 2	1	Pc.
1	3231-2612-032	Bracket for hip supports, right, size 1, black dull matt	1	Pc.
	3231-2611-032	Bracket for hip supports, left, size 1, black dull matt	1	Pc.
2-3	3231-2623E	Hip support formed part, right, size 1 with velcro	1	Pc.
	3231-2621E	Hip support formed part, left, size 1 with velcro	1	Pc.
	3233-2623E	Hip support formed part, right, size 2 with velcro	1	Pc.
	3233-2621E	Hip support formed part, left, size 2 with velcro	1	Pc.
3	1501-0003	Hook strap black 25mm	2	Pc.
4	3231-2622	Locking hinge	2	Pc.
5	1030-0512	Button head socket screw with flange M5x12	4	Pc.
6	1042-0005	Hexagon nut self-locking M5	4	Pc.
7	1026-0525	Mushroom head square neck bolt M5x25	4	Pc.
8	1123-0500	Wing nut PA black M5	4	Pc.
9	1049-0066	BILOC-nut M5	4	Pc.

For hip upholstery see page 22.

Spare parts

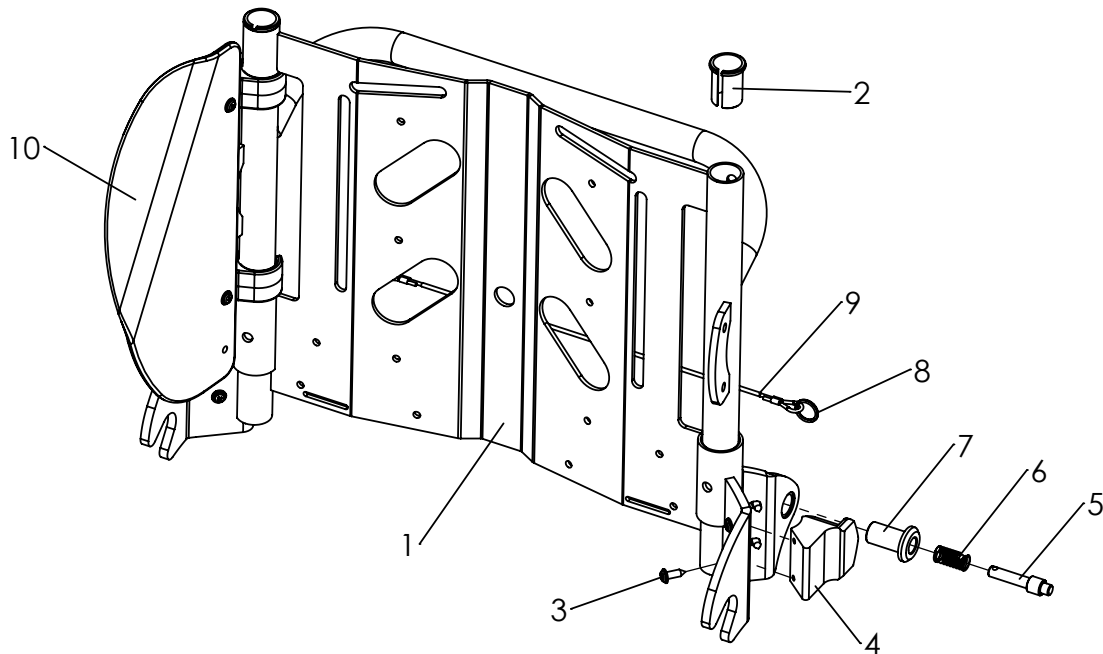


Pos	Article number	Articel description	Quantity	Unit
1-14	3211-2300E-xxx	Back base Duro size 1, with out lateral suport	1	Pc.
	3212-2300E-xxx	Back inserte Duro size 2, with out lateral suport	1	Pc.
1-2	3211-2310E-xxx	Back base DURO size 1, with bushing guide	1	Pc.
	3212-2310E-xxx	Back base DURO size 2, with bushing guide	1	Pc.
2	3211-2323	Busching guide for back insert	2	Pc.
3	3231-2322	Back guidance	2	Pc.
4	3231-2321	Locking bolt housing	2	Pc.
5	1052-0012	Spring washer B12	2	Pc.
6	1040-0012	Hexagon nut M12	2	Pc.
7	1131-0036	Compression spring D-127d	2	Pc.
8	3201-7530	Lock pin	2	Pc.
9	1129-0036	Key ring 16x1,6	2	Pc.
10	3211-2325	Release cable for DURO backrest recline size 1	1	Pc.
	3212-2325	Release cable for DURO backrest recline size 2	1	Pc.
11	3211-2321	Bearing bushing, back base	2	Pc.
12	1024-0625	Hexagon socket countersunk head screw M6x25	2	Pc.
13	1051-0006	Washer A6,4	2	Pc.
14	1042-0006	Hexagon nut self-locking M6	2	Pc.

15 und 16

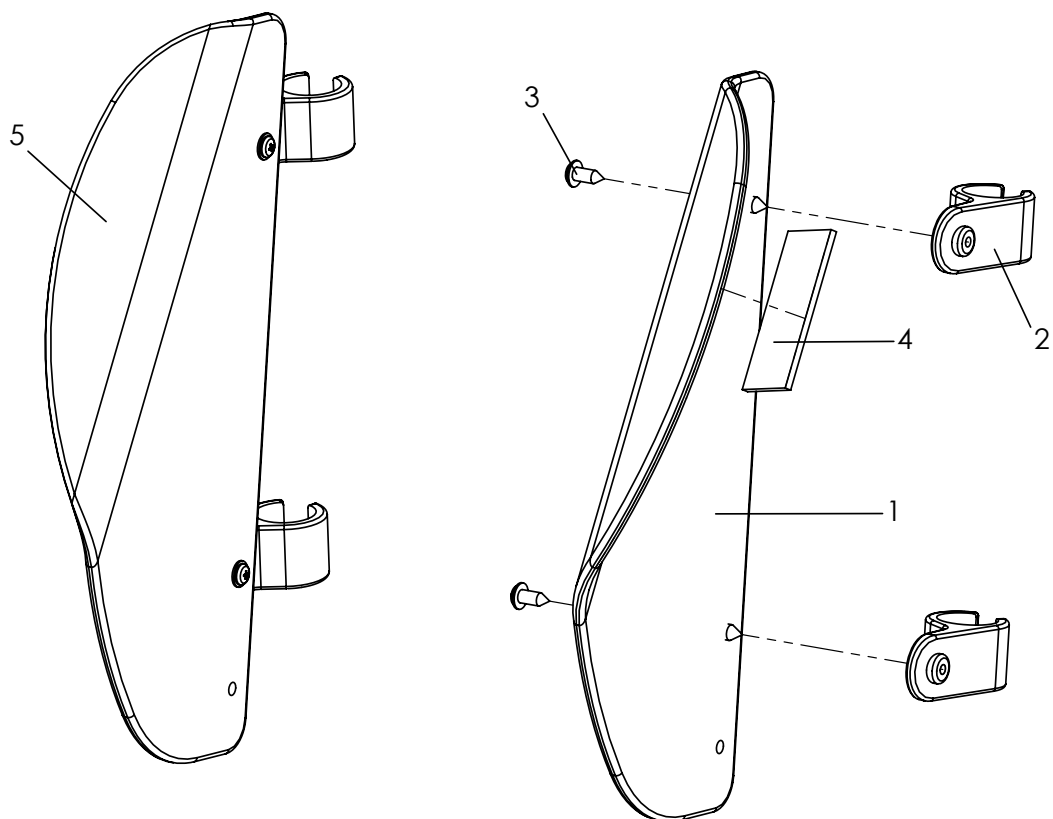
For lateral support, go to page 20.

Spare parts - for removable back



Pos	Article number	Articel description	Quantity	Unit
1-9	3211-2301E-xxx	Back Base, removable Back, DURO size 1, with out lateral support	1	Pc.
	3212-2301E-xxx	Back Base, removable Back, DURO size 2, with out lateral support	1	Pc.
1-2	3211-2320E-xxx	Back Base, removable Back, DURO size 1, with bushing guide	1	Pc.
	3212-2320E-xxx	Back Base, removable Back, DURO size 2, with bushing guide	1	Pc.
2	3211-2323	Busching guide for back insert	2	Pc.
3	1039-0003	Screw for plastic, cross rcessed pan head with flange 4x12	8	Pc.
4	3211-2326	Guide block	2	Pc.
5	3201-7530	Lock pin	2	Pc.
6	1131-0036	Compression spring D-127d	2	Pc.
7	3230-2322	Bolt socket	2	Pc.
8	1129-0036	Key ring 16x1,6	2	Pc.
9	3211-2325	Release cable for DURO backrest recline size 1	1	Pc.
	3212-2325	Release cable for DURO backrest recline size 2	1	Pc.
10		For lateral support, go to page 20.		

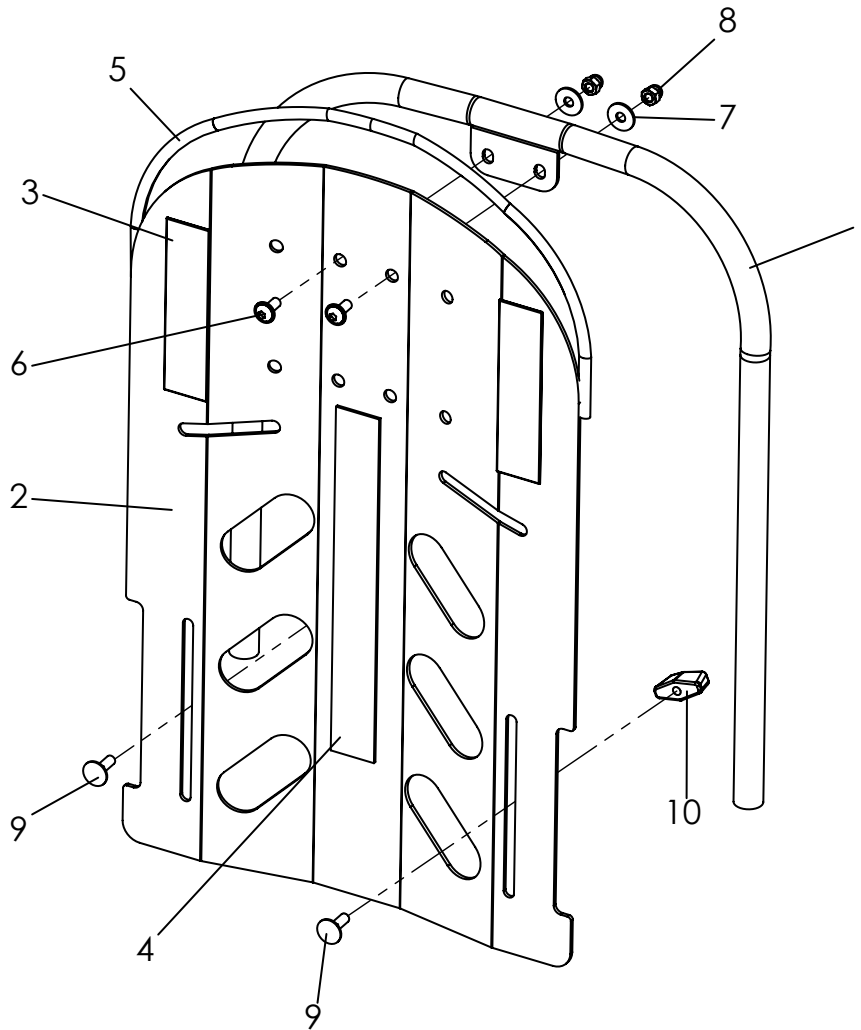
Spare parts



Pos	Article number	Articel description	Quantity	Unit
1-4	3211-2710E	Lateral support left size 1, complete	1	Pc.
	3212-2710E	Lateral support left size 2, complete	1	Pc.
2-5	3211-2720E	Lateral support right size 1, complete	1	Pc.
	3212-2720E	Lateral support right size 2, complete	1	Pc.
1	3201-2714-032	Formed part, left, size 1	1	Pc.
	3203-2714-032	Formed part, left, size 2	1	Pc.
2	3211-2712	Pad hinge	2	Pc.
4	1501-0003	Velcro fastener 25x100mm	0,1	m
5	3201-2724-032	Formed part, right, size 1	1	Pc.
	3203-2724-032	Formed part, right, size 2	1	Pc.

For Lateral upholstery, see page 22.

Spare parts



Pos	Article number	Articel description	Quantity	Unit
1-8	3211-2800E-xxx	Back insert DURO, size 1, complete	1	Pc.
	3212-2800E-xxx	Back insert DURO, size 2 , complete	1	Pc.
1	3211-2810-xxx	Back frame DURO, size 1	1	Pc.,
	3212-2810-xxx	Back frame DURO size 2	1	Pc.,
2-5	3201-2822E-xxx	Back panel size 1	1	Pc.,
	3203-2822E-xxx	Back panel size 2	1	Pc.,
3	1501-0003	Hook strap self adhesive 25x50	1	Pc.,
4	1501-0003	Hook strap self adhesive 25x200	1	Pc.,
5	1144-0001	KS-Profil PVC	1	Pc.,
6	1030-0512	Button head socket screw M5x12	2	Pc.,
7	1055-0005	Washer A5,3	2	Pc.,
8	1044-0005	Hexagonal domed cap nut self-locking M5	2	Pc.,
9	1026-0516	Mushroom head square neck bolt M5x16	2	Pc.,
10	1123-0500	Wing nut PA black M5	2	Pc.,

Spare parts

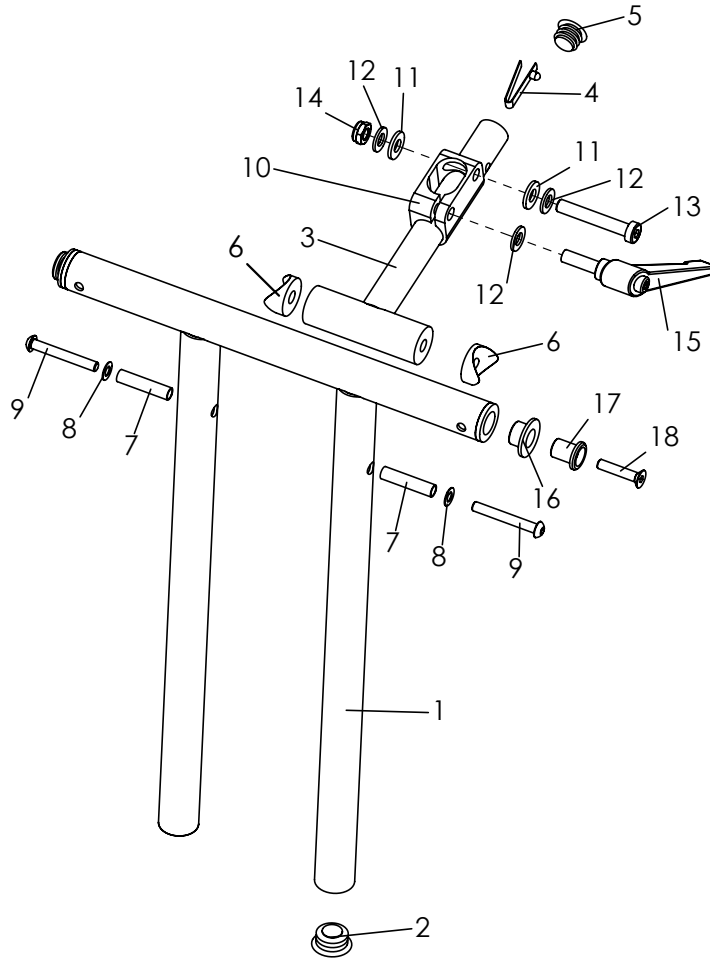


Pos	Article number	Articel description	Quantity	Unit
1-3	3211-5100E-xxx	Duro upholstery size 1	1	Pc.
	3212-5100E-xxx	Duro upholstery size 2	1	Pc.
1	3231-5120-xxx	Back upholstery size 1	1	Pc.
	3235-5120-xxx	Back upholstery size 2	1	Pc.
2	3201-5160E-xxx	Lateral upholstery size 1	1	Pair
	3235-5160E-xxx	Lateral upholstery size 2	1	Pair
3	3211-5140-xxx	Seat upholstery size 1	1	Pc.
	3212-5140-xxx	Seat upholstery size 2	1	Pc.
4	3231-2920-323	Upholstery thigh support size 1, iron grey	1	Pair
	3233-2920-323	Upholstery thigh support size 2, iron grey	1	Pair
5	3201-5150E-xxx	Hip upholstery size 1	1	Pair
	3203-5150E-xxx	Hip upholstery size 2	1	Pair
6	3211-1741-022	Support bracket, left in standard colour, signal white	1	Pc.
	3211-1741-xxx	Support bracket, left in upholstery colour	1	Pc.
	3211-1751-022	Support bracket, right in standard colour, signal white	1	Pc.
	3211-1751-xxx	Support bracket, right in upholstery colour	1	Pc.
	3211-1742-002	Support bracket, left in standard colour, signal white <i>(new version)</i>	1	Pc.
	3211-1742-xxx	Support bracket, left in upholstery colour <i>(new version)</i>	1	Pc.
	3211-1752-002	Support bracket, right in standard colour, signal white <i>(new version)</i>	1	Pc.
	3211-1752-xxx	Support bracket, right in upholstery colour <i>(new version)</i>	1	Pc.

By order, replace xxx with colour code.

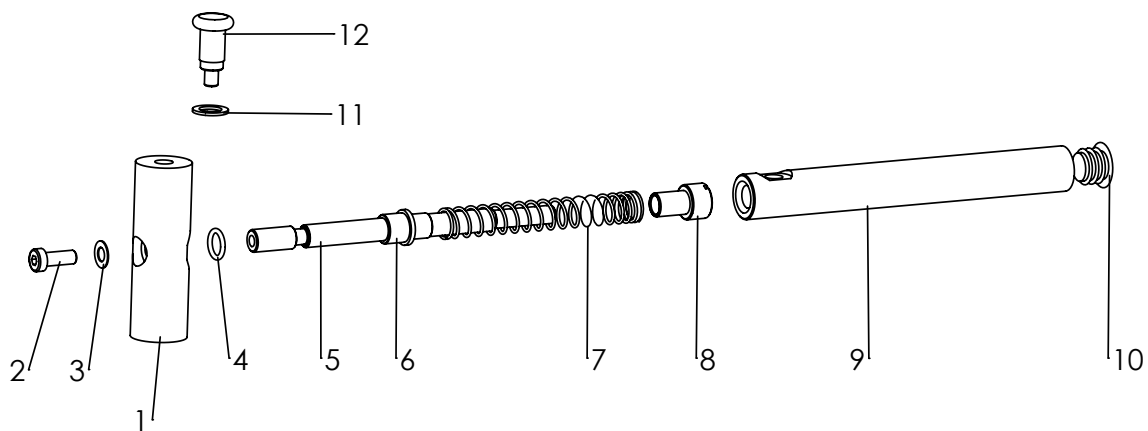
338	339	340	344	345
sand / irongrey	turquoise / irongrey	pink / irongrey	black diamond / irongrey	red / irongrey

Spare parts



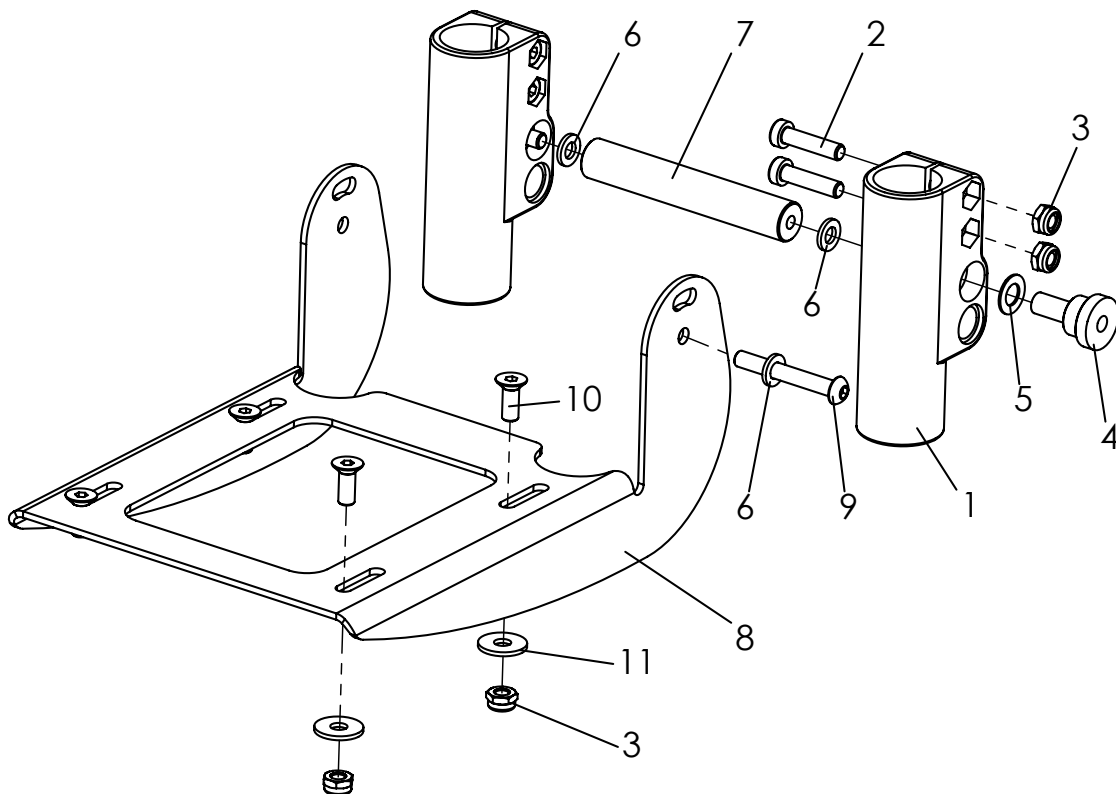
Pos	Article number	Articel description	Quantity	Unit
1-18	3211-2400E-xxx	Footrest hanger DURO size 1	1	Pc.
	3212-2400E-xxx	Footrest hanger DURO size 2	1	Pc.
1	3211-2410-xxx	Bracket for footrest hanger Duro size 1	1	Pc.
	3212-2410-xxx	Bracket for footrest hanger Duro size 2	1	Pc.
2	1141-0009	Ribbed insert SFL 25x1-2,5	2	Pc.
3	3211-2420-007	Adjustment brase DURO black anodized	1	Pc.
4	1134-0005	Snap button A 102	2	Pc.
5	1141-0006	Ribbed insert SFL 20x0,8-2,5	1	Pc.
6	1111-0012	Saddle washer PA black 24x8.4x3	2	Pc.
7	1114-0047	Bushing steel zp 8x0,9x35	2	Pc.
8	1052-0006	Spring washer B6	2	Pc.
9	1029-0645	Button head socket screw M6x45	2	Pc.
10	3211-2441-007	Clamping block	1	Pc.
11	1113-0035	Washer PA 18x8,4x2 black	2	Pc.
12	1051-0008	Washer A8,4	3	Pc.
13	1022-0850	Hexagon socket head cap screw M8x50	1	Pc.
14	1042-0008	Hexagon nut self-locking M8	1	Pc.
15	1121-0825	Locking lever PA black M8x25	1	Pc.
16	3211-2431	Sholder bushing	2	Pc.
17	3211-2432	Sholder axel	2	Pc.
18	1024-0630	Hexagon socket countersunk head screw zp DIN/ISO 7991 M6x30	2	Pc.

Spare parts



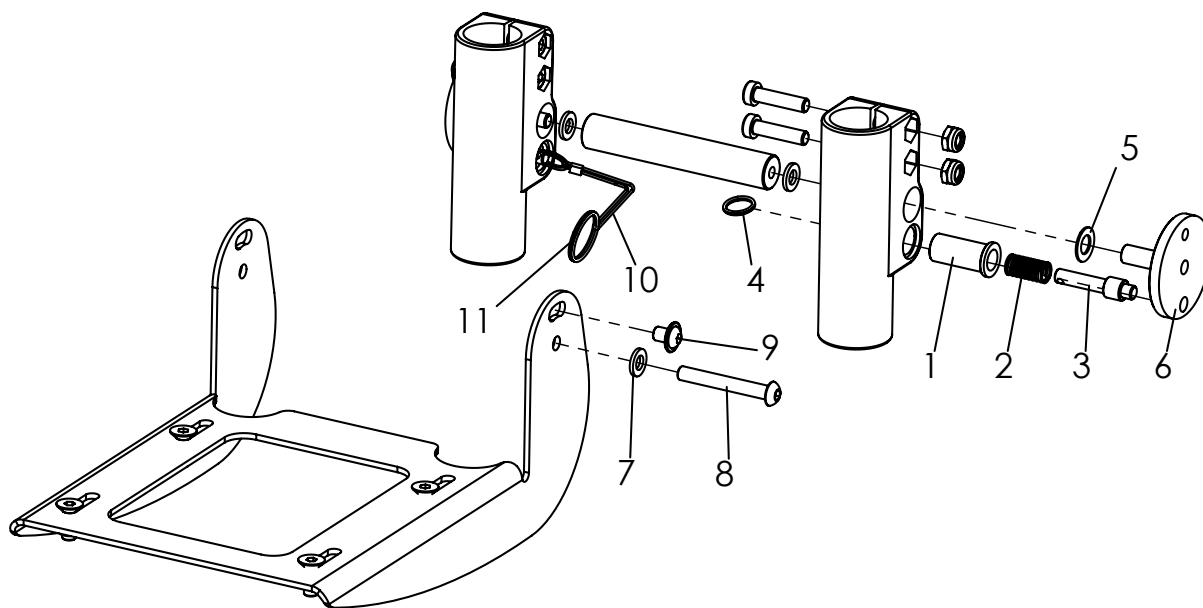
Pos	Article number	Articel description	Quantity	Unit
1-12	3211-2450E	DURO dynamic knee angle adjustment	1	Set
1	3211-2451-007	Bearing clamping shaft Dynamic black	1	Pc.
2	1022-0616	Hexagon socket head cap screw M6x16	1	Pc.
3	1052-0006	Spring washer B6	1	Pc.
4	1150-0002	O-ring 10x2	1	Pc.
5	3211-2453	Drawbar clamping strut dynamics	1	Pc.
6	3211-2454	Guide bushing clamping strut dynamics	1	Pc.
7	1131-0054	Compression spring D-190	1	Pc.
8	3201-2933	Spring bearing, bottom	1	Pc.
9	3211-2452-007	Clamp tube Dynamic footrest black	1	Pc.
10	1141-0006	Ribbed insert SFL 20x0,8-2,5	1	Pc.
11	1059-0001	Shim ring 10x16x1,2	1	Pc.
12	1127-0010	Lock pin d6xM10xS10x31	1	Pc.

Spare parts



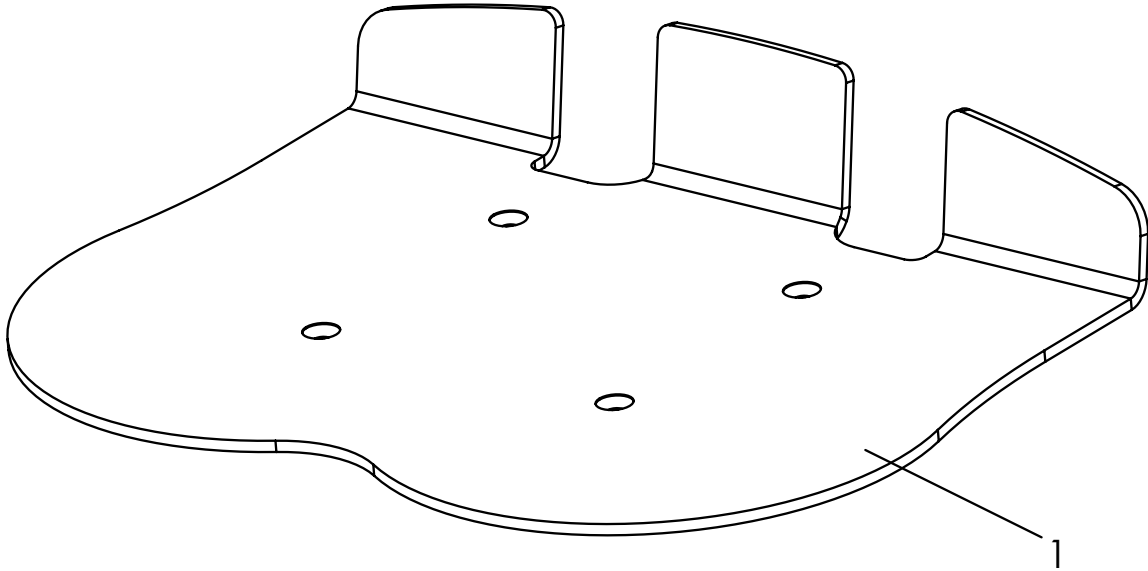
Pos	Article number	Articel description	Quantity	Unit
1-10	3245-4302E	Foot rest bracket angle adjustable, flip up type	1	Pc.
1	3245-4321	Conductor	2	Pc.
2	1022-0625	Hexagon socket head cap screw M6x25	4	Pc.
3	1042-0006	Hexagon nut self-locking M6	8	Pc.
4	3245-4322	Bushing	2	Pc.
5	1052-0008	Spring washer B8	2	Pc.
6	1051-0006	Washer A6,4	4	Pc.
7	3245-4323	Stabilizer	1	Pc.
8	3245-4311-015	Foot rest bracket angle adjustable, flip up type	1	Pc.
9	1029-0645	Button head socket screw M6x45	2	Pc.
10	1024-0616-033	Hexagon socket countersunk head screw black M6x16	4	Pc.
11	1055-0006	Washer A6,4	4	Pc.

Spare parts



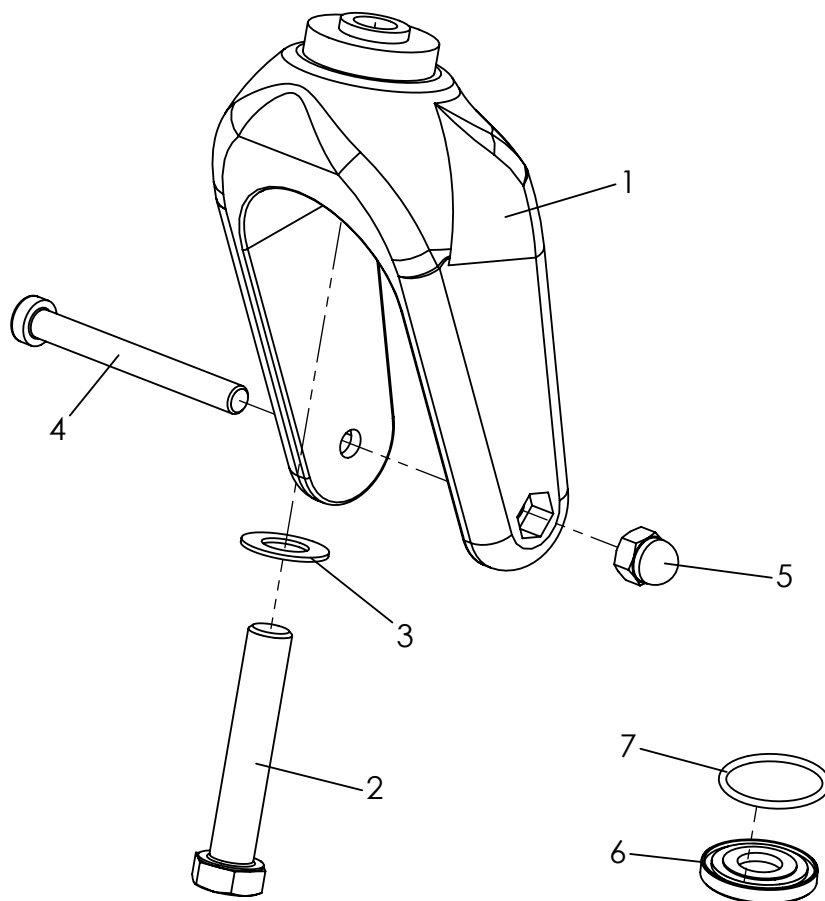
Pos	Article number	Articel description	Quantity	Unit
1-11	3245-4303E	Foot rest bracket angle adjustable, with interlocking	1	Pc.
1	3201-7520	Spring housing	2	Pc.
2	1131-0036	Compression spring D-127d	2	Pc.
3	3201-7530	Lock pin	2	Pc.
4	1129-0036	Key ring 16x1,6	2	Pc.
5	1052-0008	Spring washer B8	2	Pc.
6	3245-4341	Bearing	2	Pc.
7	1051-0006	Washer A6,4	8	Pc.
8	1029-0645	Button head socket screw M6x45	2	Pc.
9	1030-0608	Button head socket screw with flange M6x8	2	Pc.
10	3245-4342	Wire rope for foot rest lock	1	Pc.
11	1129-0003	Key ring 24x1,5	1	Pc.

Spare parts



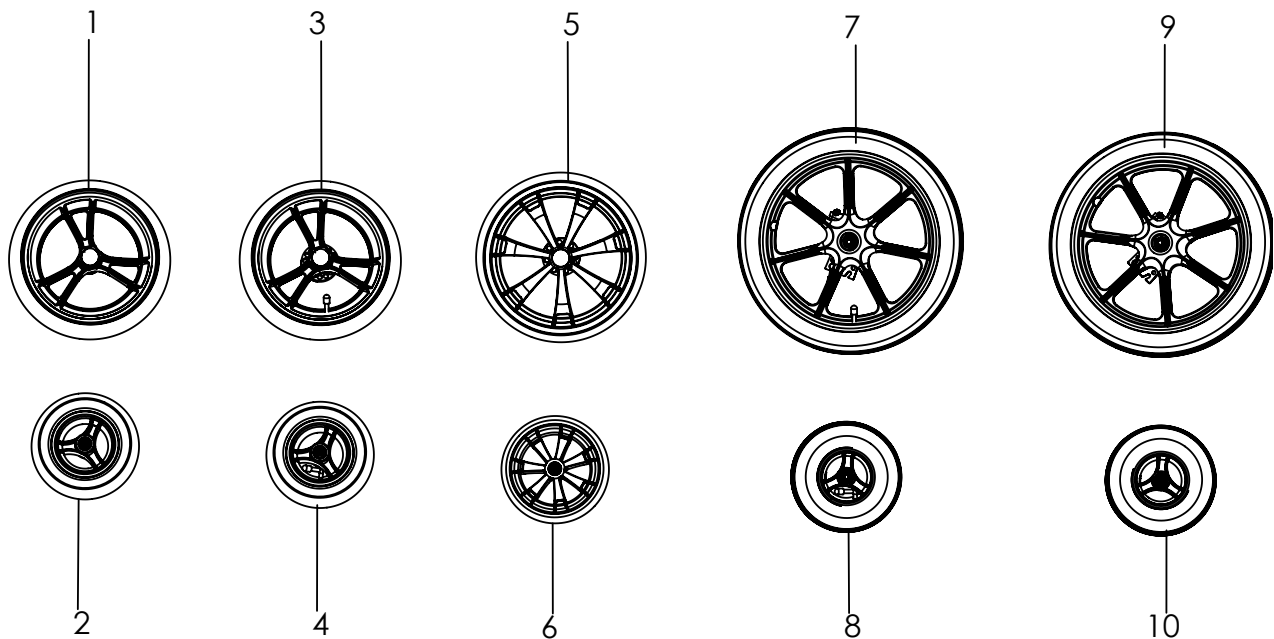
Pos	Article number	Articel description	Quantity	Unit
1	3245-4528	Foot rest with heel stop, 26 cm, recommended for size. 1	1	Pc.
	3245-4532	Foot rest with heel stop, 30 cm, recommended for size. 1	1	Pc.
	3245-4536	Foot rest with heel stop, 34 cm, recommended for size. 2	1	Pc.
	3245-4540	Foot rest with heel stop, 38 cm, recommended for size. 2	1	Pc.

Spare parts



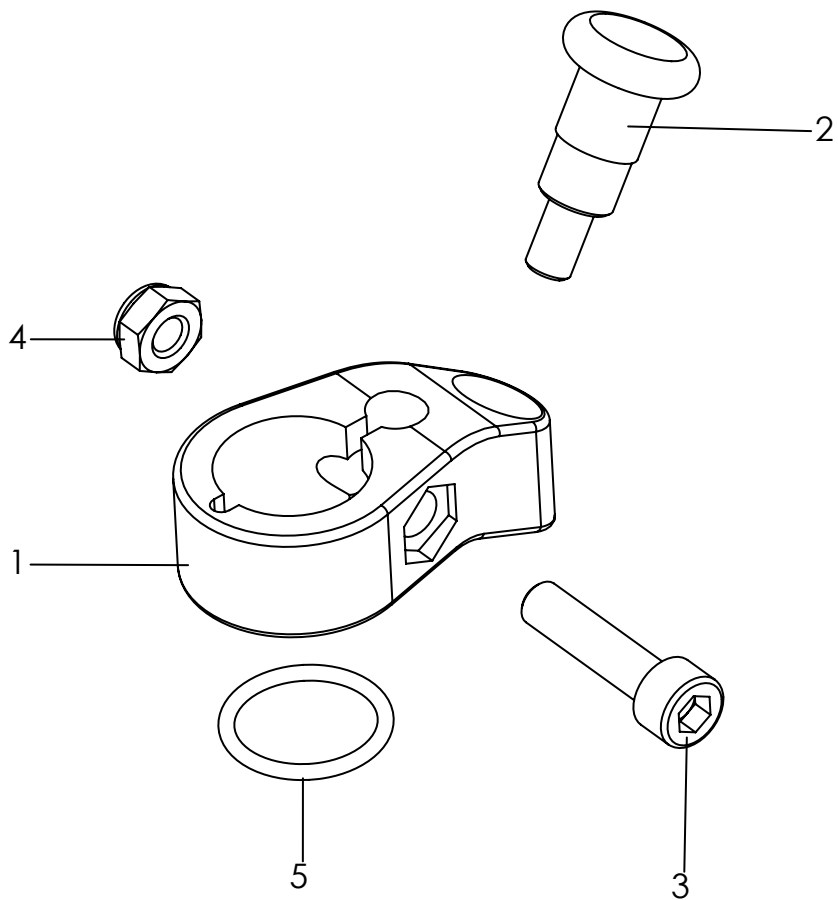
Pos	Article number	Articel description	Quantity	Unit
1-5	1281-0007E	Castor fork with fasteners	1	Pc.
1	1281-0007	Castor fork LG-K-200-12 schw 200x60	1	Pc.
2	1012-1265	Hexagon head screw M12x65	1	Pc.
3	1052-0012	Spring washer B12	1	Pc.
4	1022-0875	Hexagon socket head cap screw M8x75	1	Pc.
5	1044-0008	Hexagonal domed cap nut self-locking M8	1	Pc.
6-7	3202-7120E	Sealing for steering fork bearing for two forks	1	Set
6	3224-1174	Sealing disc caster fork	2	Pc.
7	1150-0018	O-ring 26x2	2	Pc.

Spare parts



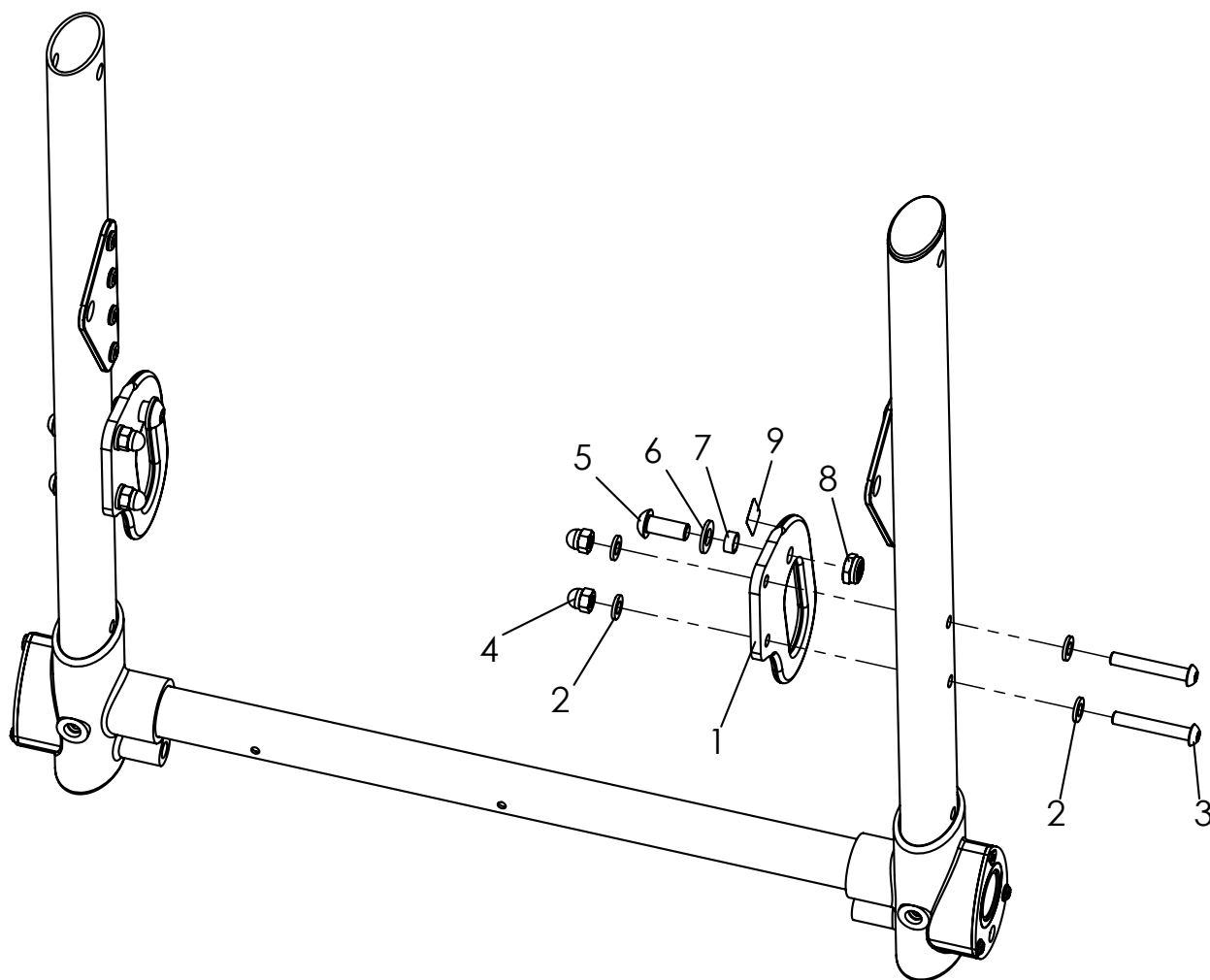
Pos	Article number	Articel description	Quantity	Unit
1	1221-2961	PU-wheel 290x60 with break disk and quick release	2	Pc.
2	1221-1950	PU-wheel 190x50	2	Pc.
3	1211-2961	Pneumatic wheel 290x60, quick release	2	Pc.
4	1211-1950	Pneumatic wheel 190/50	2	Pc.
5	1221-3061	PU-Wheel R300/60, chrome, with break disk	2	Pc.
	1221-3063	PU-Wheel R300/60, ABS black, with break disk	2	Pc.
6	1221-2048	PU-Wheel R200/48 chrome rim	2	Pc.
	1221-2049	PU-Wheel R200/48 ABS black	2	Pc.
7	1219-0040	Pneumatic wheel black 16 x 1,75", black 5 spoke, drum brake left side	1	Pc.
	1219-0041	pneumatic wheel black 16 x 1,75", black 5 spoke, drum brake right side	1	Pc.
8	1211-0017	Pneumatic wheel 190x50 with black 3 spoke	2	Pc.
9	1229-0040	PU wheel black 400x40, black 5 spoke, drum brake left side	1	Pc.
	1229-0041	PU wheel black 400x40, black 5 spoke, drum brake right side	1	Pc.
10	1221-0017	PU-wheel 190x50 with black 3 spoke	2	Pc.
	1200-0016	Tire for wheel 16x1.75"	1	Pc.
	1200-0001	Tire for wheel 290x60	1	Pc.
	1200-0002	Tire for wheel 190 x 50	1	Pc.
	1201-0001	Tube for wheel 290 x 60	1	Pc.
	1201-0002	Tube for wheel 190 x 50	1	Pc.
	1201-0016	Tube for wheel 16x1.75"	1	Pc.

Spare parts



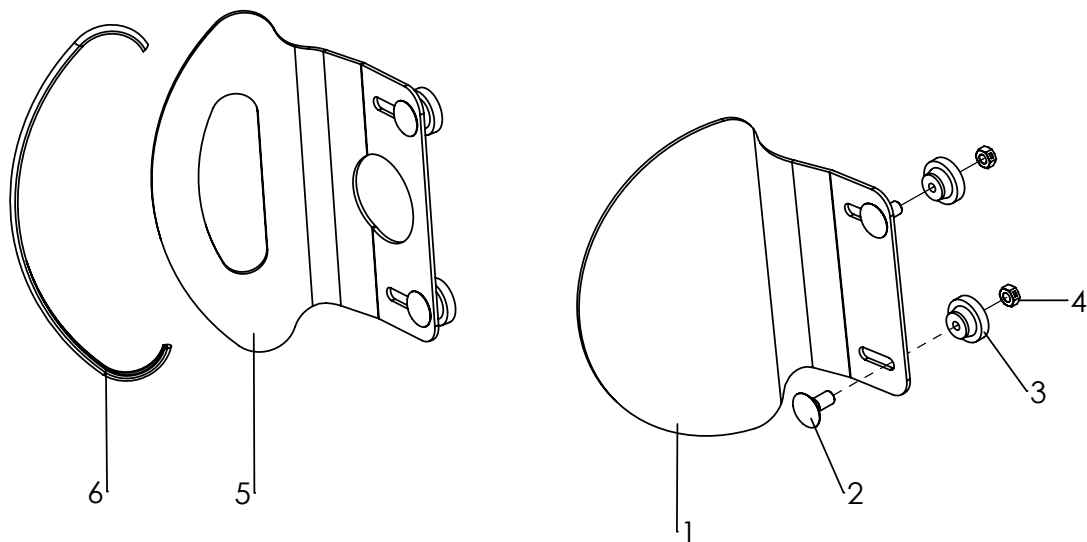
Pos	Article number	Articel description	Quantity	Unit
1-5	3202-7100	Swivel lock, for two castor fork`s	1	Set
1	3202-7110	Swivel lock housing	2	Pc.
2	1127-0009	Lock pin, with interlocksystem	2	Pc.
3	1021-0625	Hexagon socket head cap screw M6x25	2	Pc.
4	1042-0006	Hexagon nut self-locking M6	2	Pc.
5	1150-0001	O-ring NBR 18x2	2	Pc.

Spare parts



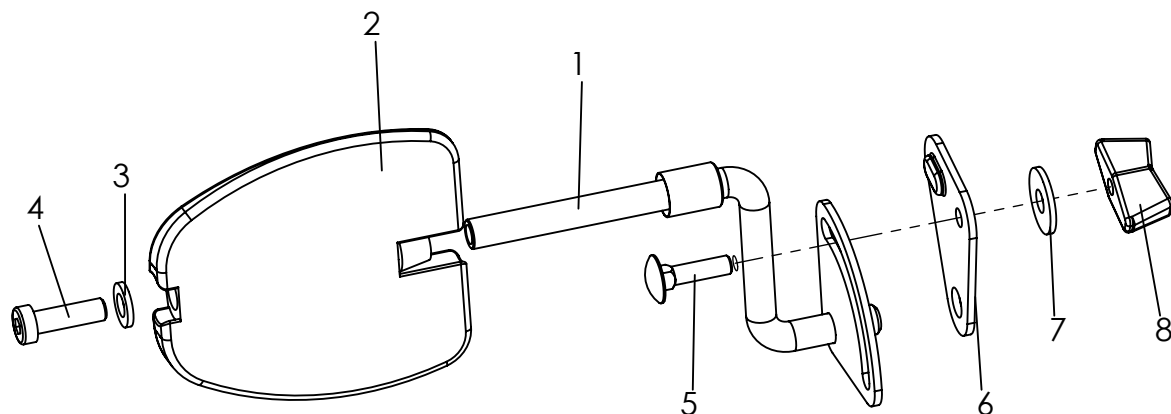
Pos	Article number	Articel description	Quantity	Unit
1-9	3211-7300-052	Tie down kit DURO	1	Set
1	3211-7311-052	Lashing, DURO	2	Pc.
2	1051-0006	Washer A6,4	8	Pc.
3	1029-0640	Button head socket screw M6x40	4	Pc.
4	1044-0006	Hexagonal domed cap nut self-locking M6	4	Pc.
5	1029-0820	Button head socket screw M8x20	2	Pc.
6	1051-0008	Washer A8,4	4	Pc.
7	3201-7350	Slide bushing	2	Pc.
8	1042-0008	Hexagon nut self-locking M8	2	Pc.
9	1914-0007	Adhesive lable with hook symbol	1	Set

Spare parts



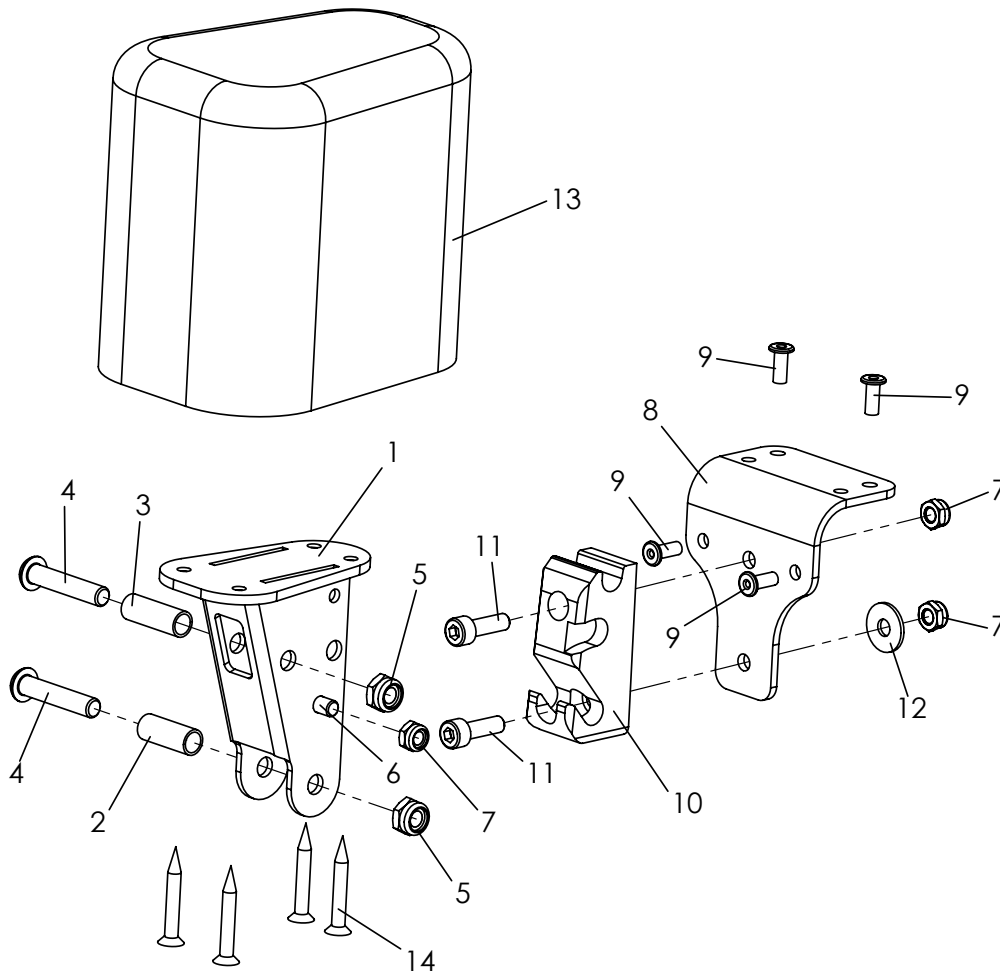
Pos	Article number	Articel description	Quantity	Unit
1-4	3201-7600	Headrest pads without upholstery size 1	1	Set
	3203-7600	Headrest pads without upholstery size 2	1	Set
2-6	3231-7600	Headrest pads low version without upholstery size 1	1	Set
	3233-7600	Headrest pads low version without upholstery size 2	1	Set
1	3201-7610-032	headrest pads size 1, black dull matt	2	Pc.
	3203-7610-032	headrest pads size 2, black dull matt	2	Pc.
2	1026-0520	Mushroom head square neck bolt M5x20	4	Pc.
3	1124-0500	Knurled nut M5	4	Pc.
4	1049-0066	BILOC-nut M5	4	Pc.
5	3201-7611-032	Head rerst pad size 1, black dull matt	2	Pc.
	3233-7611-032	Headrest pad low profile size 2, black dull matt	2	Pc.
6	1144-0001	KS-Profil PVC	2	Pc.
	3201-7620-323	Head rest upholstery size 1, iron grey	2	Pc.
	3203-7620-323	Head rest upholstery size 2, iron grey	2	Pc.
	3231-7620-323	Head rest upholstery for low profile head rest, size 1, iron grey	2	Pc.
	3233-7620-323	Head rest upholstery for low profile head rest, size 2, iron grey	2	Pc.
	3201-7622	Self adhesive pad size 1	2	Pc.
	3203-7622	Self adhesive pad size 2	2	Pc.

Spare parts



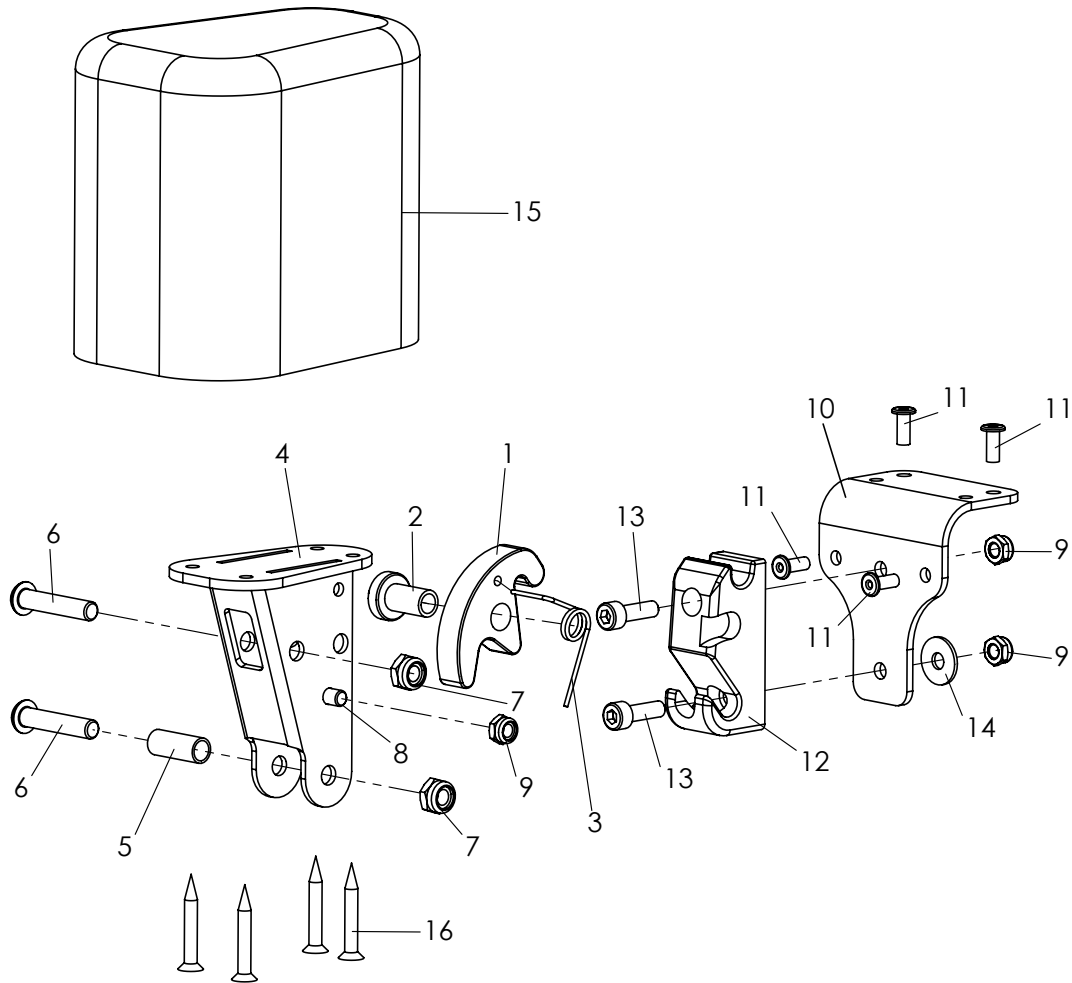
Pos	Article number	Articel description	Quantity	Unit
1-8	3231-7700	Trunk suport size 1, without upholstery	1	Pair
	3233-7700	Trunk suport size 2, without upholstery	1	Pair
	3235-7700	Trunk suport size 3, without upholstery	1	Pair
1	3201-7720-008	Pad crank right size 1	1	Pc.
	3201-7710-008	Pad crank left size 1	1	Pc.
2	3231-7730	Pad size 1	2	Pc.
	3233-7730	Pad size 2	2	Pc.
	3235-7730	Pad size 3	2	Pc.
3	1051-0006	Washer A6,4	2	Pc.
4	1022-0620	Hexagon socket head cap screw M6x20	2	Pc.
	1022-0640	Cylinder head screw M6x40	2	Pc.
	1022-0650	Hexagon socket head cap screw M6x50	2	Pc.
5	1026-0520	Mushroom head square neck bolt M5x20	2	Pc.
6	3201-7717-008	Bracket of trunk support right	1	Pc.
	3201-7716-008	Bracket of trunk support left	1	Pc.
7	1055-0006	Washer A6,4	2	Pc.
8	1123-0500	Wing nut PA black M5	2	Pc.
	3231-7760-323	Upholstery Gr. 1, iron grey	2	Pc.
	3233-7760-323	Upholstery Gr. 2 iron grey	2	Pc.
	3203-7760-323	Upholstery Gr. 3 iron grey	2	Pc.

Spare parts



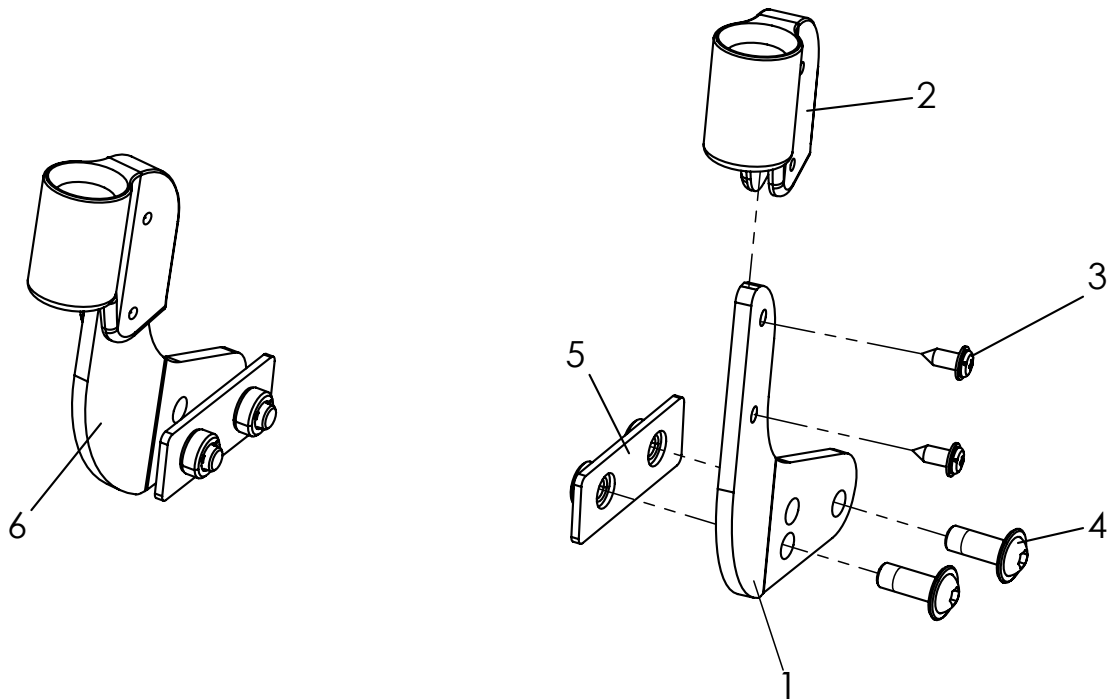
Pos	Article number	Articel description	Quantity	Unit
1-14	3231-7801	Bingo-Evo abduction block size 1 fixed, with out cover	1	Pc
	3231-7901	Bingo-Evo abduction block size 2 fixed, with out cover	1	Pc
	3233-7801	Bingo-Evo abduction block size 3 fixed, with out cover	1	Pc
1	3231-7820-032	A-wedge support	1	Pc
2	1114-0013	Bushing zp 8x0,8x20	1	Pc
3	1114-0012	Bushing zp 8x0,8x22,5	1	Pc
4	1029-0630	Button head socket screw M6x30	2	Pc
5	1042-0006	Hexagon nut self-locking M6	2	Pc
6	1021-0508	Cylinder head screw M5x8	1	Pc
7	1042-0005	Hexagon nut self-locking M5	3	Pc
8	3231-7831-032	Base plate abduction block receiver	1	Pc
9	1062-0410	Blind rivet F4x10	4	Pc
10	3231-7832	Arresting part for A-wedge	1	Pc
11	1021-0516	Hexagon socket head cap screw M5x16	2	Pc
12	1055-0005	Washer A5,3	1	Pc
13	3201-7810E	Wood wedge size 1 with PU-foam	1	Pc
	3201-7910E	Wood wedge size 2 with PU-foam	1	Pc
	3203-7810E	Wood wedge size 3 with PU-foam	1	Pc
14	1028-0430	Pressboard screw countersunk head 4x30	4	Pc
	3201-7840-323	Cover for abduction block size 1 iron grey	1	Pc
	3201-7940-323	Cover abduction block size 2 iron grey	1	Pc
	3203-7840-323	Cover for abduction block size 3 iron grey	1	Pc

Spare parts



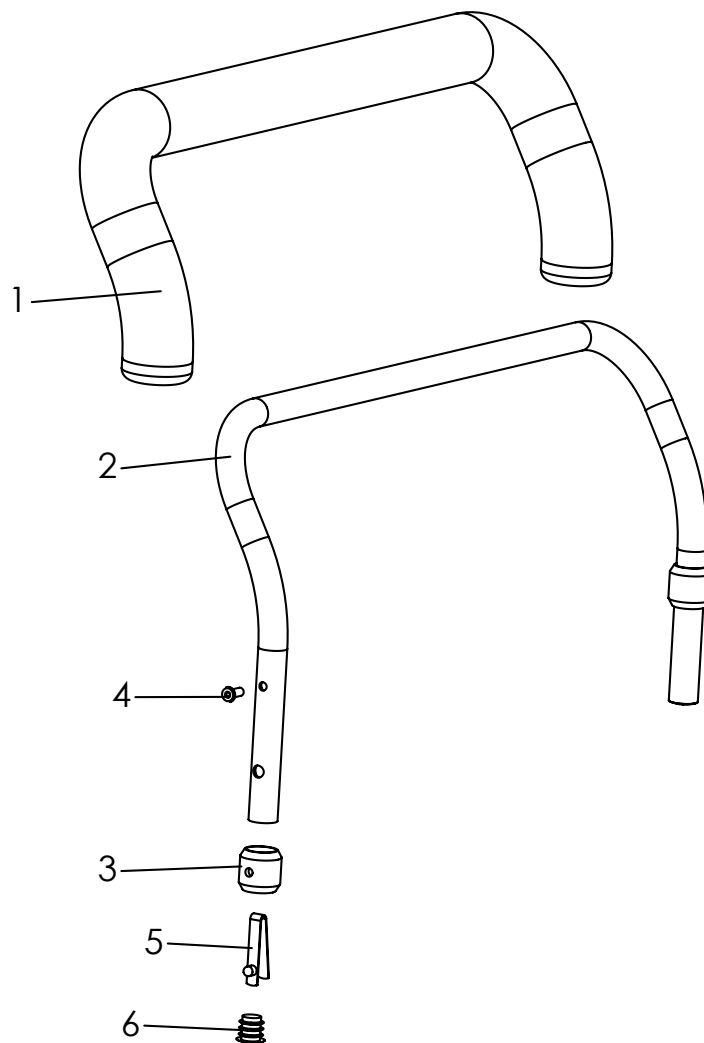
Pos	Article number	Articel description	Quantity	Unit
1-16	3231-7800	Abduction block size 1 swing&detachable, without cover	1	Pc.
	3231-7900	Abduction block size 2 swing&detachable, without cover	1	Pc.
	3233-7800	Abduction block size 3 swing&detachable, without cover	1	Pc.
1	3231-7841	Arresting clamp	1	Pc.
2	3231-7842	Bearing arresting clamp	1	Pc.
3	1133-0020	Leg spring 1,25 x 9,25 x 2,25	1	Pc.
4	3231-7820-032	A-wedge support	1	Pc.
5	1114-0013	Bushing zp 8x0,8x20	1	Pc.
6	1029-0630	Button head socket screw M6x30	2	Pc.
7	1042-0006	Hexagon nut self-locking 985 M6	2	Pc.
8	1021-0508	Cylinder head screw M5x8	1	Pc.
9	1042-0005	Hexagon nut self-locking M5	3	Pc.
10	3231-7831-032	Base plate abduction block receiver	1	Pc.
11	1062-0410	Blind rivet F4x10	4	Pc.
12	3231-7832	Arresting part for A-wedge	1	Pc.
13	1021-0516	Hexagon socket head cap screw M5x16	2	Pc.
14	1055-0005	Washer A5,3	1	Pc.
15	3201-7810E	Wood wedge size 1 with PU-foam	1	Pc.
	3201-7910E	Wood wedge size 1 with PU-foam	1	Pc.
	3203-7810E	Wood wedge size 1 with PU-foam	1	Pc.
16	1028-0430	Pressboard screw countersunk head 4x30	4	Pc.
	3201-7840-323	Cover for abduction block size 1 iron grey	1	Pc.
	3201-7940-323	Cover abduction block size 2 iron grey	1	Pc.
	3203-7840-323	Cover for abduction block size 3 iron grey	1	Pc.

Spare parts



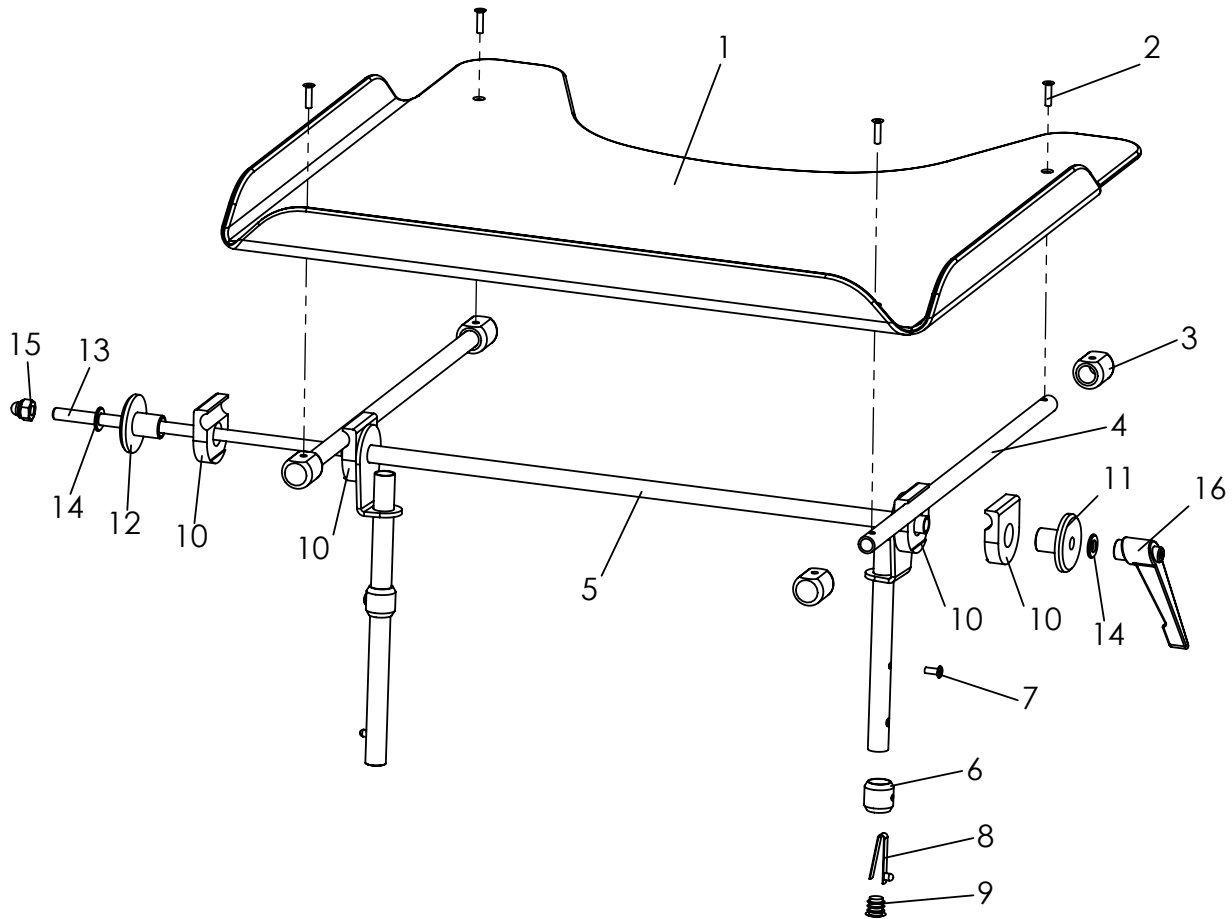
Pos	Article number	Articel description	Quantity	Unit
1-6	3211-2201-052	DURO retainer for accessories grab rail or therapy tray	1	Set
1	3211-2232-052	Accessorie retainer left	1	Pc.
2	3231-2232	Retainer for accessories mould part	2	Pc.
3	1039-0001	Screw for plastic, 4x10	4	Pc.
4	1030-0616	Button head socket screw with flange M6x16	4	Pc.
5	3211-2231	Threaded plate M6	2	Pc.
6	3211-2242-052	Accessorie retainer right	1	Pc.

Spare parts



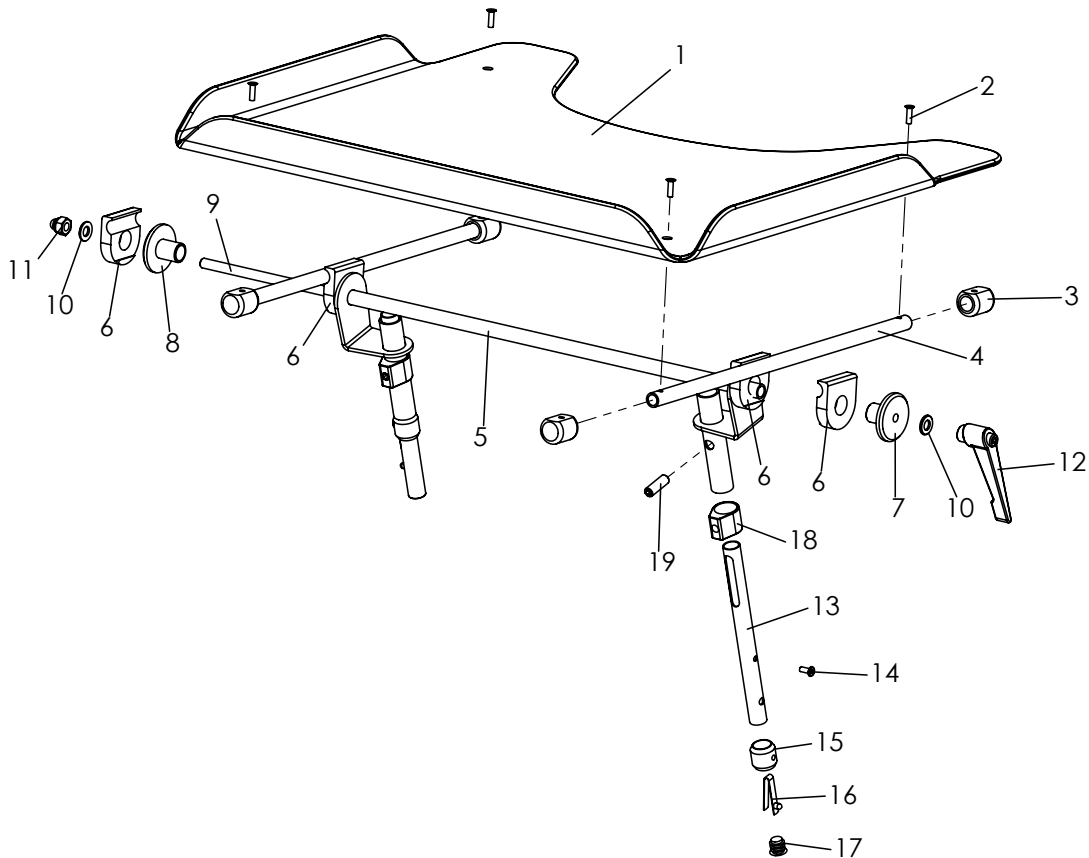
Pos	Article number	Articel description	Quantity	Unit
1-7	3231-8100-323	Grab rail with upholstery size 1	1	Pc.
	3233-8100-323	Grab rail with upholstery size 2	1	Pc.
1	3231-8130	Upholstery foam material size 1, (60 cm)	1	Pc.
	3203-8130	Upholstery foam material size 2 (70 cm)	1	Pc.
2	3231-8110	Bend Tube for grab rail size 1	1	Pc.
	3233-8110	Bend Tube for grab rail size 2	1	Pc.
3	3201-8120	Bushing	2	Pc.
4	1062-0408	Blind rivet St/St DIN/ISO 7337 F4x8	2	Pc.
5	1134-0005	Snap button A 102	2	Pc.
6	1141-0001	Ribbed insert SFL 14x0,8-2	2	Pc.
7	3231-8140-323	Cover of grab rail size 1, iron grey	1	Pc.
	3233-8140-323	Cover of grab rail size 2, iron grey	1	Pc.

Spare parts



Pos	Article number	Articel description	Quantity	Unit
1-16	3231-8200	Therapy tray size 1, clear	1	Pc.
	3233-8200	Therapy tray size 2, clear	1	Pc.
1	3231-8290	Tray plate only, clear	1	Pc.
1-4	3231-8280	Tray plate clear, with rails	1	Pc.
1-16	3231-8201	Therapy tray size 1, gray	1	Pc.
	3233-8201	Therapy tray size 2, gray	1	Pc.
	3231-8291	Tray plate only, grey	1	Pc.
1-4	3231-8281	Tray plate gray, with rails	1	Pc.
2	1063-0410	Blind rivet S4x10	4	Pc.
3	3201-8280	Bearing block	4	Pc.
4	3201-8270	Rail	2	Pc.
5-9	3231-8210E-032	Table base frame, size 1	1	Pc.
	3233-8210E-032	Table base frame, size 2	1	Pc.
6	1062-0410	Bushing	2	Pc.
7	1134-0005	Blind rivet F4x10	2	Pc.
8	1141-0001	Snap button A 102	2	Pc.
9	3201-8230	Ribbed insert SFL 14x0,8-2	4	Pc.
10	3201-8240	Clamp half	1	Pc.
11	3201-8250	Clamp disk D 8,5	1	Pc.
12	1039-0002	Clamp disk M8	1	Pc.
13	1051-0008	Thread M8x47,2mm	0,47	m
14	1044-0008	Washer A8,4	1	Pc.
15	1121-0800	Hexagonal domed cap nut self-locking M8	1	Pc.
16	1121-0800	Locking lever PA black M8	1	Pc.

Spare parts



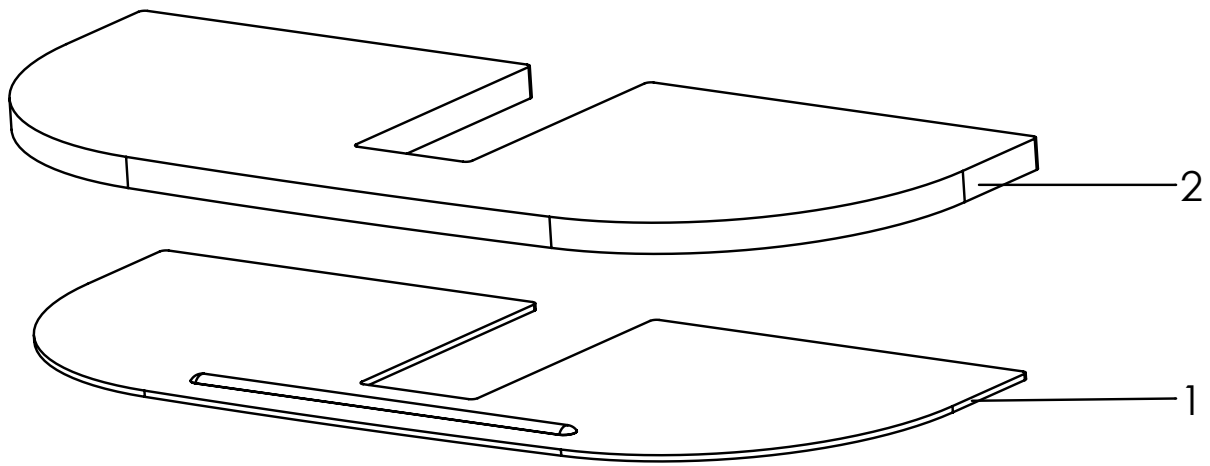
Pos	Article number	Articel description	Quantity	Unit
1-16	3231-8202	Therapy tray size 1, clear, height adjustable	1	Pc.
1-16	3233-8202	Therapy tray size 2, clear, height adjustable	1	Pc.
1	3231-8290	Tray plate only, clear	1	Pc.
	3231-8280	Tray plate clear, with rails	1	Pc.
	3231-8203	Therapy tray size 1, gray, height adjustable	1	Pc.
	3233-8203	Therapy tray size 2, gray, height adjustable	1	Pc.
	3231-8291	Tray plate only, grey	1	Pc.
1-4	3231-8281	Tray plate gray, with rails	1	Pc.
2	1063-0414	Blind rivet S4x10	4	Pc.
3	3201-8280	Bearing block	4	Pc.
4	3201-8270	Rail	2	Pc.
5	3231-8220E-032	Table base frame, size 1, height adjustable	1	Pc.
	3233-8220E-032	Table base frame, size 2, height adjustable	1	Pc.
6	3201-8230	Clamp half	4	Pc.
7	3201-8250	Clamp disk M8	1	Pc.
8	3201-8240	Clamp disk D 8,5	1	Pc.
9	1039-0002	Thread rod M8x47,2cm	0,47	m
10	1051-0008	Washer A8,4	2	Pc.
11	1044-0008	Hexagonal domed cap nut self-locking M8	1	Pc.
12	1121-0800	Locking lever PA black M8	1	Pc.
13-17	3231-8215	Support tube adjustable, left	1	Pc.
	3231-8216	Support tube adjustable, right	1	Pc.
14	1062-0408	Blind rivet F4x8	2	Pc.
15	3201-8120	Bushing	2	Pc.
16	1134-0005	Snap button A 102	2	Pc.
17	1141-0001	Ribbed insert SFL 14x0,8-2	2	Pc.
18	3201-8221	Clamp ring for height adjustable tray	2	Pc.
19	1031-0825	Hexagon socket set screw M8x25	2	Pc.

Spare parts



Pos	Article number	Articel description	Quantity	Unit
1-9	3211-7201	Attendant brake DURO, two hand use	1	Set
1	1209-0221	Break lever 80°	2	Pc.
2	1209-0001	Break wire set 1,5m cable, shorten to 105cm	2	Pc.
3	1039-0006	Tapping screw with countersunk head	6	Pc.
4	1039-0001	Screw for plastic, cross rcessed pan head w. flange 4x10	2	Pc.
5	1149-0003	Cable clip d 6,4 / 8 mm, black	2	Pc.
6	1089-0004	Cable tie, black, 5x180	6	Pc.
7	1204-0005	Brake disc with aluminium-ring	2	Pc.
	1205-0055	Bowden cable guide, angle 90°	2	Pc.
8-14		Spare parts, Attendant brake		
8	3231-7217	setscrew for cable, 160° angle	1	Pc.
9	1131-0073	Compression spring, for hub brake	1	Pc.
10	1099-0015	Screw nipple	1	Pc.
11	3231-7213	Alu-profile bracket with brake pad	1	Pc.
12	3231-7214	Base plate for hub brake	1	Pc.
13	3231-7212	Cover for hub brake	1	Pc.
14	1039-0001	Screw for plastic, cross rcessed pan head w. flange 4x10	3	Pc.

Spare parts



Pos	Article number	Articel description	Quantity	Unit
1-2	3232-5190	Calf pad support plate size 1 with foam insert	1	Set
	3234-5190	Calf pad support plate size 2 with foam insert	1	Set
1	3231-5149-032	Calf pad plate size 1	1	Pc.
	3233-5149-032	Calf pad plate size 2	1	Pc.
2	3232-5173	Foam for Calf pad plate size 1	1	Pc.
	3234-5173	Foam for Calf pad plate size 2	1	Pc.

Spare parts



Pos	Article number	Articel description	Quantity	Unit
1-4	3211-9300-323	Canopy DURO size 1, incl. adapter and rain protection, iron gray	1	Set
	3212-9300-323	Canopy DURO size 2, incl. adapter and rain protection, iron gray	1	Set
1	7000-0007-323	Canopy with rain cover, gray	1	Pc.
2	7000-0008	Rain cover for canopy, DURO size 1	1	Pc.
	7000-0037	Rain cover for canopy DURO size 2	1	Pc.
3	7000-0004	Ratchet joint for canopy with fasteners	2	Pc.
4	3211-9330E	Canopy adapter DURO with fastener complete	1	Set

HOGGI GmbH
Eulerstraße 27 • 56235 Ransbach-Baumbach • Deutschland
Telefon: (+49) 2623 / 92 499-0 • Telefax: (+49) 2623 / 92 499-99
E-mail: info@hoggi.de • www.hoggi.de
